



品质源自专业 诚信铸就明天  
Specialty Builds Quality Honesty Creates Future



ROOTS BLOWER / VACUUM PUMP / MVR STEAM COMPRESSOR



山东明天机械集团股份有限公司  
Shandong Mingtian Machinery Group Joint Stock Co., Ltd  
Add: Industrial Park, North of Xianggong Town, Zhangqiu District, Jinan, Shandong, China  
Tel: +8613869163278  
Mobile: +8613869163278  
Email: vincent@cnrootsblower.com  
Website: www.cnrootsblower.com

山东明天机械集团股份有限公司  
Shandong Mingtian Machinery Group Joint Stock Co., Ltd

## Company Introduction



Shandong Mingtian Machinery Group Joint Stock Co., Ltd is located Zhangqiu District, Jinan City, Shandong Province. It covers an area of more than 76000 m<sup>2</sup>, building surface is more than 39000m<sup>2</sup>, with more than 180 employees, among of them including 22 technicians, 5 technical engineers, and 3 domestic chief experts. Founded in 2007, we are manufacturing and exporting roots blower and MVR compressors with 12 years experiences. With advanced CNC processing centers and test equipments, we are able to manufacture roots blowers, roots vacuum pumps and MVR compressors in 10 series and 220 models, with air capacity 0.6-1000 m<sup>3</sup>/min and pressure rise 9.8-198kPa. Our blowers are widely used in pneumatic conveying, waste water treatment, aquaculture, petroleum, chemical industry, metallurgy, electric power, cement, food, coal preparation, vacuum packaging and other industries.

## Roots Blower Working Principle



The rotary-type positive-displacement roots blower incorporates two intermeshing rotors mounted on parallel shafts. In a twin-lobe roots blower, each rotor has two lobes (four per roots blower). In a tri-lobe roots blower, each rotor has three lobes (six per roots blower).

- The two rotors rotate in opposite directions.
- As each rotor passes the blower inlet, it traps a definite volume of gas (the 'displaced volume') and carries it around the case to the blower outlet. With constant speed operation, the displaced volume remains approximately the same at different inlet temperatures, inlet pressures and discharge pressures.
- As each rotor passes the blower outlet the gas is compressed to the system pressure there and expelled.
- Small but definite clearances allow operation without lubrication being required inside the air casing.
- Timing gears control the relative position of the rotors to each other.

## Products Features

Shangu three lobes Roots Blower are new series Roots type blowers. With the help of CNC machine, we made precise rotors and casings to get a perfect gap to promote air performance, lower vibrations and noises results a significant improvement compared to traditional two lobe Roots Blower. Traditional Roots Blower lubricate bearings and gears with grease and oil. Shangu blowers with double oil tank need oil only. It is very convenient to maintain and oil has a better lubricating effect than grease. So it could be a longer bearings and gears life.

- ◆ Strict management of quality standards. ISO9001 and CE systems.
- ◆ Technical customization (size, pressure, design, pump accessories).
- ◆ CNC machinery enabling precise measurements and grinding needed for more efficient pumping.
- ◆ Fewer vibrations transmitted through the lobe, for longer-lasting shafts, gears and bearings.
- ◆ Three-lobe design controls any backflow pressure towards rotor.
- ◆ Oil and dust-free outlet.
- ◆ Lubricated with high grade oil, proven to be a much better alternative to grease.
- ◆ Significant improvement in air performance ratios: wider air, pressure and vacuum range.
- ◆ Much quieter: our new design can effectively reduce noise by approximately 5 dB.
- ◆ Lower energy consumption.
- ◆ All our products can be used for OEM.

## Information to Submit When Order

Usage	Blowing use or vacuum use
Gas Handled	Gas variety, status, temperature
	With or without corrosiveness and explosiveness State the proportion of gas formation and the molecular weight if handle mixed gas
Pressure	Unit: kPa, kgf/cm <sup>2</sup> , mmH <sub>2</sub> O, mmHg, Pa, etc.
	Difference between gauge pressure and absolute pressure
Air Capacity	Unit: m <sup>3</sup> /min
	Differences among Reference Condition (N : 0oC, 1 standard atmosphere pressure), Standard Condition (S : 20oC, 1 standard atmosphere pressure), and inlet condition
Location	Outdoor or indoor
	Surrounding temperature, with or without dangerous
Motor	Model No, output, poles
Driving Type	Coupling or v-belt
Others	Temperature of cooling water
	Operating time
	Whether in need of accessories or spare parts
	Painting colour

### Performance Table Explain

- The performance tables give the model type, bore, r.p.m, discharge pressure, air capacity and required power of the blower.
- The air capacity in the tables is indicated in the standard suction state. The standard suction state herein mentioned is defined as the condition at 20 temperature, 1.0332kgf/cm2 [101.3kPa] absolute pressure and 65%relative humidity.
- The reference air capacity(temperature 0 °C and 1.0332kgf/cm2) [101.3kPa] absolute pressure is generally indicated in Nm<sup>3</sup>/min.
- However, it may be converted into the standard air capacity by the following equation if the suction pressure is equal.

$$Q_s = Q_N \times 1.0732$$

Where,

Q<sub>s</sub>: standard air capacity;

Q<sub>N</sub>: referenee air capacity;

- The discharge air capacity can be converted into the standard air capacity by the following equation.

$$Q_s = Q_d \times \frac{1.0332 + P_d}{2 \times 1.0332} \times \frac{273 + t_s}{273 + t_d}$$

Where,

Q<sub>d</sub>:discharge air capacity,in(m3/min)

P<sub>d</sub>:discharge pressure,in(kgf/cm2)

t<sub>s</sub>:suction temperature,in(°C)

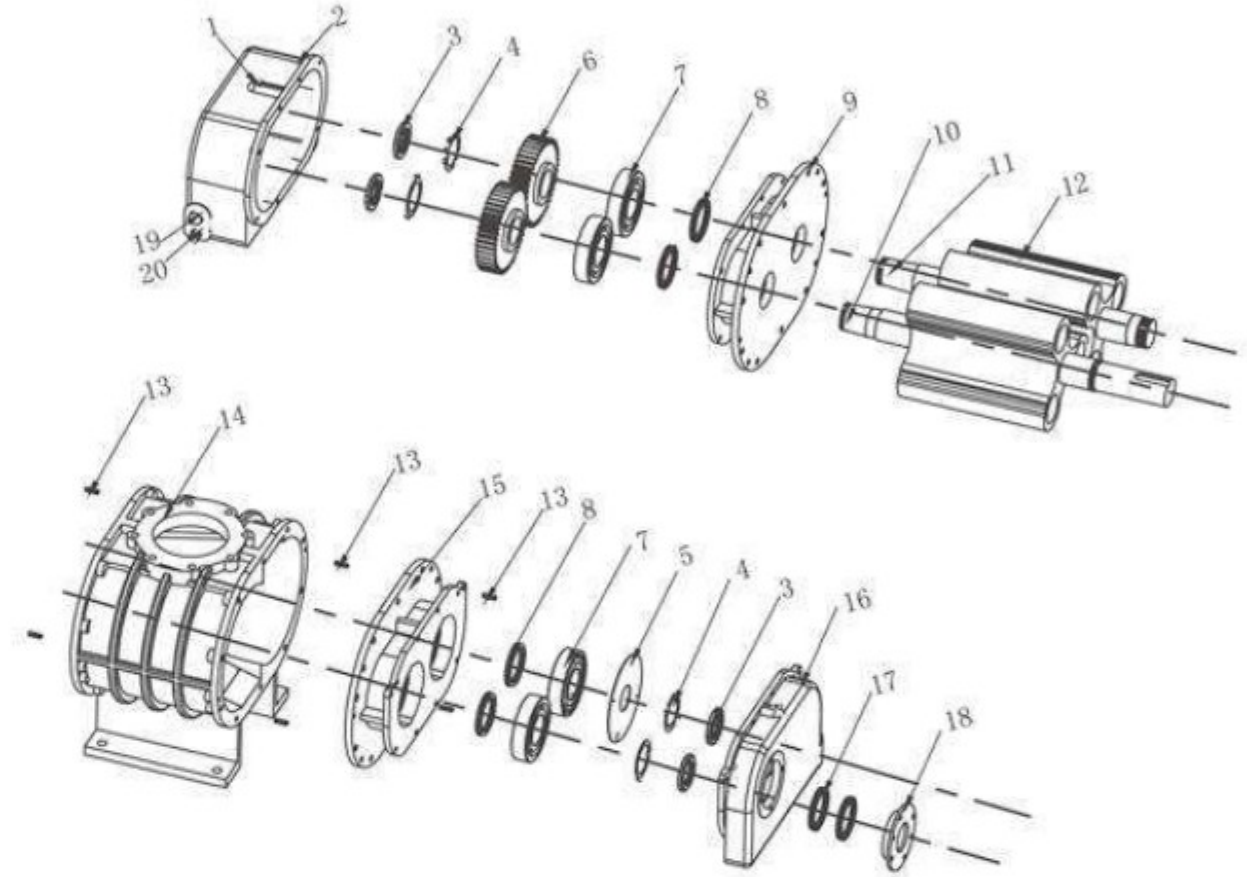
t<sub>d</sub>:discharge temperature, in(°C)

- According to the air capacity and discharge pressure as calculated above, the model number, bore, r.p.m and required power can be found in the performance table.

### Pressure Conversion Table

	Pa	Bar	Kgf/cm <sup>2</sup>	Atm	MmH <sub>2</sub> O	MmHg (Torr)
Pressure	1	1 x 10 <sup>-5</sup>	1.01972 x 10 <sup>-5</sup>	9.86923 x 10 <sup>-6</sup>	1.01972 x 10 <sup>-1</sup>	7.50062 x 10 <sup>-3</sup>
	1 x 10 <sup>5</sup>	1	1.01972	9.86923 x 10 <sup>-1</sup>	1.01972 x 10 <sup>4</sup>	7.50062 x 10 <sup>2</sup>
	9.80665 x 10 <sup>4</sup>	9.80665 x 10 <sup>-1</sup>	1	9.67841 x 10 <sup>-1</sup>	1 x 10 <sup>4</sup>	7.35559 x 10 <sup>2</sup>
	1.01325 x 10 <sup>5</sup>	1.01325	1.03323	1	1.03323 x 10 <sup>4</sup>	7.60000 x 10 <sup>2</sup>
	9.80665	9.80665 x 10 <sup>-3</sup>	1 x 10 <sup>-4</sup>	9.67841 x 10 <sup>-5</sup>	1	7.35559 x 10 <sup>-2</sup>
	1.33322 x 10 <sup>2</sup>	1.33322 x 10 <sup>-3</sup>	1.35951 x 10 <sup>-3</sup>	1.31579 x 10 <sup>-3</sup>	1.35951 x 10 <sup>1</sup>	1

### Roots Blower Structure



### Parts Material Table

No.	Name	Material	QTY	No.	Name	Material	QTY
1	Lubrication Plug	A3	2	11	Driven Shaft	45#	1
2	Gear Case	HT250	1	12	Rotor	QT400	2
3	Lock Nut	A3	4	13	Positioning Pin	45#	6
4	Washer	A3	4	14	Casing	HT250	1
5	Oil Splash	A3	2	15	Drive Side Wall	HT250	1
6	Gear	20CrMnTi	2	16	Drop Tank	HT250	1
7	Bearing	SUJ2	4	17	Oil Seal	Nitrile Rubber	2
8	V-ring	Nitrile Rubber	4	18	Oil Tank Cap	HT250	1
9	Wall Plate	HT250	1	19	Oil Gauge	Organic Glass	2
10	Drive Shaft	45#	1	20	Purge Plug	A3	2

RSR系列罗茨鼓风机性能表  
RSR SERIES ROOTS BLOWER PERFORMANCE TABLE

风机型号 Model	口径 Bore mm	转速 Rotary Speed r/min	理论流量 m³/min	各排气压力下的进口流量Qs (m³/min) Inlet Flow (m³/min)																											所需轴功率La(kw) Shaft Power La(kw)			所配电机功率Po(kw) Motor Power Po(kw)			电机极数 Motor Pole
				9.8kpa			19.6kpa			29.4kpa			39.2kpa			49kpa			58.8kpa			68.6kpa			78.4kpa			88.2kpa			98kpa						
				Qs	La	Po	Qs	La	Po	Qs	La	Po	Qs	La	Po	Qs	La	Po	Qs	La	Po	Qs	La	Po	Qs	La	Po	Qs	La	Po	Qs	La	Po	Qs	La	Po	
RSR50	50	1230	1.82	1.49	0.33	0.75	1.35	0.66	1.1	1.25	0.99	1.5	1.16	1.32	2.2	1.08	1.65	2.2	1.01	1.98	3														4		
		1450	2.15	1.82	0.39	0.75	1.68	0.78	1.5	1.57	1.17	1.5	1.49	1.56	2.2	1.41	1.95	3	1.34	2.34	3	1.26	2.73	4	1.19	3.12	4								4		
		1640	2.43	2.10	0.44	1.1	1.96	0.94	2.2	1.86	1.32	2.2	1.77	1.76	2.2	1.69	2.20	3	1.62	2.64	4	1.55	3.08	4	1.49	3.73	5.5								4		
		1840	2.72	2.39	0.50	1.1	2.26	0.99	2.2	2.15	1.48	2.2	2.06	1.98	3	1.99	2.47	3	1.91	2.97	4	1.85	3.46	5.5	1.79	3.96	5.5								4		
		2120	3.14	2.81	0.57	1.1	2.67	1.21	2.2	2.57	1.71	3	2.48	2.28	3	2.40	2.85	4	2.33	3.42	4	2.26	3.99	5.5	2.20	4.56	5.5								4		
		2300	3.4	3.07	0.66	1.5	2.94	1.39	2.2	2.83	2.08	3	2.74	2.47	4	2.67	3.09	4	2.60	3.71	5.5	2.53	4.33	5.5	2.47	4.95	7.5								2		
		2500	3.7	3.30	0.75	2.2	3.20	1.70	3	3.10	2.70	4	3.00	3.70	5.5	2.90	4.70	5.5	2.80	5.70	7.5														2		
		3000	4.4	3.90	1.10	2.2	3.80	2.30	3	3.70	3.50	4	3.60	4.70	5.5	3.50	5.90	7.5																	2		
RSR65	65	1240	2.5	2.09	0.46	0.75	1.93	0.91	1.5	1.80	1.36	2.2	1.69	1.82	3	1.59	2.27	3	1.51	2.73	4	1.43	3.18	4	1.36	3.85	5.5								4		
		1450	2.92	2.52	0.54	1.1	2.35	1.07	1.5	2.22	1.6	2.2	2.11	2.13	3	2.02	2.66	4	1.93	3.19	4	1.85	3.72	5.5	1.78	4.25	5.5									4	
		1640	3.3	2.90	0.61	1.1	2.73	1.21	2.2	2.60	1.81	3	2.49	2.41	4	2.40	3.01	4	2.31	3.61	5.5	2.23	4.21	5.5	2.16	4.81	7.5									4	
		1820	3.67	3.26	0.75	1.5	3.09	1.50	2.2	2.97	2.00	3	2.86	2.82	4	2.76	3.34	5.5	2.68	4.00	5.5	2.60	4.67	5.5	2.52	5.60	7.5									4	
		2130	4.29	3.89	1.05	1.5	3.72	1.57	2.2	3.59	2.35	3	3.48	3.13	4	3.39	4.11	5.5	3.30	4.69	7.5	3.22	5.67	7.5	3.15	6.25	7.5									4	
		2300	4.64	4.13	1.10	2.2	3.96	2.17	3	3.83	3.24	4	3.78	4.34	5.5	3.63	4.22	5.5	3.50	5.06	7.5	3.36	5.90	7.5	3.10	6.74	7.5									2	
		2500	5.04	4.45	1.25	2.2	4.21	1.85	3	3.89	2.65	4	3.67	3.50	5.5	3.45	4.40	7.5	3.22	5.35	7.5															2	
		3000	6.05	5.34	2.00	3	5.02	3.00	4	4.70	4.00	5.5	4.38	5.00	7.5	4.06	6.00	7.5																		2	
RSR80	80	1230	4.27	3.66	1.05	1.5	3.45	1.56	2.2	3.29	2.33	4	3.15	3.11	4	3.03	3.88	5.5	2.92	4.66	5.5	2.82	5.43	7.5	2.73	6.21	7.5	2.54	6.98	7.5	2.35	7.76	11	4			
		1460	5.07	4.26	1.19	2.2	4.05	2.07	3	3.88	3.10	4	3.75	3.69	5.5	3.63	4.61	7.5	3.52	5.53	7.5	3.32	6.45	7.5	3.23	7.37	11	3.04	8.29	11	2.81	9.21	11	4			
		1650	5.73	4.60	1.50	2.2	4.48	2.29	4	4.34	3.13	5.5	4.24	4.17	5.5	4.15	5.21	7.5	4.03	6.25	7.5	3.68	7.29	11	3.55	8.33	11	3.40	9.37	11	3.09	10.5	15	4			
		1820	6.32	5.51	1.58	3	5.30	2.80	4	5.13	3.88	5.5	5.00	4.59	7.5	4.88	5.74	7.5	4.77	6.89	11	4.47	8.04	11	4.28	9.18	11	4.09	10.33	15	3.92	11.48	15	4			
		2100	7.29	6.28	2.25	3	6.07	3.41	5.5	5.91	4.48	5.5	5.77	5.30	7.5	5.65	7.01	11	5.54	7.95	11	5.44	9.27	11	5.35	10.60	15	5.26	11.92	15	5.18	13.24	18.5	4			
		2300	7.98	6.43	2.47	4	6.26	3.50	5.5	6.10	4.98	7.5	5.97	5.80	7.5	5.85	7.25	11	5.74	8.70	11	5.64	10.15	15	5.54	11.60	15	5.46	13.82	18.5	5.37	15.36	18.5	2			
		2700	9.37	8.50	3.00	4	8.10	4.50	5.5	7.70	6.00	7.5	7.30	7.50	11	6.90	9.00	11	6.50	10.5	15	6.10	12.00	15	5.70	13.50	15								2		

RSR系列罗茨鼓风机性能表  
RSR SERIES ROOTS BLOWER PERFORMANCE TABLE

风机型号 Model	口径 Bore mm	转速 Rotary Speed r/min	理论流量 m³/min	各排气压力下的进口流量Qs (m³/min) Inlet Flow (m³/min)									所需轴功率La(kw) Shaft Power La(kw)						所配电机功率Po(kw) Motor Power Po(kw)						电机极数 Motor Pole									
				9.8kpa			19.6kpa			29.4kpa			39.2kpa			49kpa			58.8kpa			68.6kpa				78.4kpa			88.2kpa			98kpa		
				n	Qth	Qs	La	Po	Qs	La	Po	Qs	La	Po	Qs	La	Po	Qs	La	Po	Qs	La	Po	Qs		La	Po	Qs	La	Po	Qs	La	Po	Qs
RSR100	100	1220	6.65	5.46	1.83	3	5.17	2.42	3	4.95	3.63	5.5	4.76	4.84	5.5	4.6	6.05	7.5	4.45	7.26	11	4.32	8.46	11	4.19	9.67	11							4
		1460	7.96	6.67	2.03	3	6.38	2.9	4	6.16	4.34	5.5	5.97	5.79	7.5	5.81	7.24	11	5.66	8.68	11	5.53	10.13	15	5.4	11.58	15							4
		1680	9.17	7.77	2.28	3	7.48	3.75	5.5	7.26	5.62	7.5	7.08	6.66	7.5	6.91	8.33	11	6.76	10.5	15	6.63	11.65	15	6.5	13.32	15							4
		1880	10.26	8.76	3.1	4	8.47	4.73	5.5	8.25	5.59	7.5	8.07	7.45	11	7.9	9.32	11	7.76	11.18	15	7.62	13.04	15	7.49	14.9	18.5							4
		2100	11.46	9.76	4.41	5.5	9.48	5.76	7.5	9.25	7.49	11	9.07	8.33	11	8.9	10.41	15	8.76	12.49	15	8.62	14.57	18.5	8.49	16.65	18.5							4
		2300	12.55	11.47	4.65	7.5	11.02	6.74	11	10.67	8.83	11	10.37	10.92	15	10.11	13.01	18.5	9.82	15.1	18.5	9.55	17.19	22	9.26	19.28	22							2
		2700	14.7	13.3	5.3	7.5	12.9	7.7	11	12.6	10.1	15	12.3	12.5	15	12	14.9	18.5	11.7	17.3	22	11.4	19.71	30										2
RSR125	125	980	7.54	6.61	3.07	5.5	6.23	4.17	5.5	5.93	4.71	5.5	5.68	5.48	7.5	5.46	6.85	7.5	5.26	8.22	11	5.08	9.59	11	4.91	10.96	15							6
		1200	9.23	8.3	3.12	5.5	7.92	4.31	5.5	7.62	5.66	7.5	7.38	6.71	7.5	7.16	8.39	11	6.96	10.06	11	6.78	11.74	15	6.61	13.42	15	6.45	15.09	18.5	6.3	16.77	22	4
		1450	11.16	10.03	3.45	5.5	9.64	4.56	5.5	9.35	6.08	7.5	9.1	8.11	11	8.89	10.13	15	8.68	12.16	15	8.5	14.19	18.5	8.33	16.21	18.5	8.17	18.24	22	8.02	20.26	22	4
		1630	12.55	11.21	4.3	5.5	10.83	6.25	7.5	10.53	8.35	11	10.29	10.35	15	10.07	12.35	15	9.87	14.6	18.5	9.69	16.6	18.5	9.52	18.5	22	9.36	20.6	30	9.21	22.78	30	4
		1850	14.24	12.61	5.4	7.5	12.22	7.55	11	11.93	9.88	11	11.68	11.66	15	11.46	13.12	18.5	11.26	15.51	18.5	11.08	18.1	22	10.91	20.68	30	10.75	23.27	30	10.6	25.85	30	4
		2000	15.39	13.66	6.03	11	13.28	8.6	11	12.98	10.2	15	12.73	12.8	18.5	12.51	14.6	18.5	12.32	16.77	22	12.13	19.57	30	11.96	22.36	30	11.8	25.15	30	11.65	29.59	37	4
		2300	17.69	16.32	6.89	11	15.75	9.84	15	15.3	12.79	18.5	14.92	15.74	22	14.59	18.69	30	14.27	21.64	30	13.96	24.59	30	13.66	27.54	30							2
RSR150C	150	970	12.32	11	2.95	4	10.45	5.37	7.5	10.15	6.72	11	9.77	8.95	11	9.56	11.18	15	9.28	13.43	18.5												6	
		1200	15.24	13.52	4.24	5.5	13.07	7.67	11	12.85	8.31	11	12.6	11.07	15	12.28	14.66	18.5	12.09	16.61	22												4	
		1460	18.55	16.42	5.66	7.5	15.87	8.5	11	15.55	11.1	15	15.17	13.47	18.5	14.96	17.83	22	14.78	20.21	30												4	
		1630	20.71	18.38	5.84	7.5	17.83	8.52	11	17.41	11.2	15	17.06	15.04	18.5	16.75	18.8	22	16.46	22.56	30												4	
		1820	23.12	21.15	9.78	11	20.33	13.63	18.5	19.7	17.48	22	19.17	21.33	30	18.69	25.18	30																4

RSR系列罗茨鼓风机性能表  
RSR SERIES ROOTS BLOWER PERFORMANCE TABLE

风机型号 Model	口径 Bore mm	转速 Rotary Speed r/min	理论流量 m³/min	各排气压力下的进口流量Qs (m³/min) Inlet Flow (m³/min)									所需轴功率La(kw) Shaft Power La(kw)						所配电机功率Po(kw) Motor Power Po(kw)						电机极数 Motor Pole											
				9.8kpa			19.6kpa			29.4kpa			39.2kpa			49kpa			58.8kpa			68.6kpa				78.4kpa			88.2kpa			98kpa				
				n	Qth	Qs	La	Po	Qs	La	Po	Qs	La	Po	Qs	La	Po	Qs	La	Po	Qs	La	Po	Qs		La	Po	Qs	La	Po	Qs	La	Po	Qs	La	Po
RSR150	150	970	17.98	15.05	5.2	7.5	14.38	8.2	11	14.06	10.3 7	15	13.72	13.06	15	13.55	16.32	18.5	13.39	19.58	22	13.13	22.85	30	12.97	26.11	30	12.81	29.37	37	12.63	32.64	37	6		
		1240	22.98	19.55	8.5	11	19.37	12.3	15	19.03	16.1	18.5	18.83	19.9	22	18.65	23.7	30	18.43	27.5	30	18.11	30.3	37	17.93	34.1	37	17.62	37.9	45	17.34	41.72	55	4		
		1470	27.24	24.23	11.65	15	24.08	15.9	18.5	23.82	20.2	30	23.61	24.6	30	23.44	28.9	37	23.09	33.3	37	22.01	37.3	45	21.88	41.5	55	21.65	45.7	55	21.38	49.9	55	4		
		1730	32.06	27.81	15.3	18.5	27.16	20.2	22	26.88	25.4	30	26.62	30.6	37	26.42	35.8	45	26.21	41	45	26.04	48.8	55	25.72	54	75	25.55	59.2	75	25.31	64.4	75	4		
		1900	35.22	30.19	16	22	29.75	22	30	29.55	28	37	29.23	34	37	29.03	40	45	28.84	46	55	28.55	52	75	28.29	58	75	28.05	64	75	27.86	70	90	4		
		2200	40.78	37.4	18	22	36.41	24.6	30	35.65	31.2	37	34	37.8	45	33.43	44.4	55	32.75	51	75	32.08	57.6	75	31.41	64.2	75							4		
RSR175A	150	970	22.47	18.05	7.8	11	16.9	11.3	15	16.01	15.1	18.5	15.31	18.9	22	14.6	22.7	30	13.9	26.5	30	13.42	30.3	37	13	34.1	37							6		
		1150	26.64	22.1	10.2	15	20.98	14.6	18.5	19.95	19	22	19.34	23.4	30	18.62	27.8	30	17.91	32.2	37	17.33	36.6	45	16.86	41	55								4	
		1450	33.59	29.65	12.8	15	28.48	18.4	22	27.61	24	30	26.87	29.6	37	26.18	35.2	45	25.61	40.8	45	24.95	46.4	55	24.3	52	75									4
		1750	40.55	37.32	15	18.5	36.05	21.6	30	35.15	28.2	30	34.45	34.8	37	33.75	41.4	55	33.04	48	55	32.61	54.6	75											4	
		2000	46.34	42.78	16.5	18.5	41.67	24.1	30	40.78	31.7	37	39.95	39.3	45	39.26	46.9	55	38.68	54.5	75	38.11	62.1	75												4
		2150	49.81	46.94	17.1	22	45.74	25.2	30	44.81	33.3	37	44.03	41.4	55	43.34	49.5	75	42.69	57.6	75															4
RSR175	150	1240	34.74	29.05	11.32	15	28.32	17.12	18.5	27.66	22.9	30	27.17	28.7	37	26.76	34.5	37	26.31	40.32	45														4	
		1480	41.46	38.05	16.77	18.5	36.6	23.68	30	35.53	30.59	37	34.61	37.5	45	33.79	44.41	55	33.04	51.32	75															4
		1620	45.39	38.45	17	18.5	37.75	24.6	30	37.14	32.3	37	36.65	39.8	45	36.14	47.4	55	35.74	55	75															4
		1730	48.47	41.05	17.6	22	40.3	26.39	30	39.68	33.9 3	37	39.19	39.58	45	38.73	49.49	55	38.32	55.89	75															4
		2000	56.03	49	19	30	47.4	28.1	37	45.8	37.2	45	44.4	46.3	55	43.1	55.4	75																		4
		2150																																		

RSR系列罗茨鼓风机性能表  
RSR SERIES ROOTS BLOWER PERFORMANCE TABLE

风机型号 Model	口径 Bore mm	转速 Rotary Speed r/min	理论流量 m³/min	各排气压力下的进口流量Qs (m³/min) Inlet Flow (m³/min)									所需轴功率La(kw) Shaft Power La(kw)						所配电机功率Po(kw) Motor Power Po(kw)						电机极数 Motor Pole									
				9.8kpa			19.6kpa			29.4kpa			39.2kpa			49kpa			58.8kpa			68.6kpa				78.4kpa			88.2kpa			98kpa		
				n	Qth	Qs	La	Po	Qs	La	Po	Qs	La	Po	Qs	La	Po	Qs	La	Po	Qs	La	Po	Qs		La	Po	Qs	La	Po	Qs	La	Po	Qs
RSR200H	200	970	35.4	32.1	10.7	15	30.96	16.5	18.5	30.07	23.15	30	29.08	28.1	37	28.16	33.9	37	27.75	39.7	45	27.15	45	55	26.62	51.3	75	26.25	57.86	75	25.73	62.9	75	6
		1170	42.72	39.92	11.5	15	38.66	18.7	22	37.65	25.9	30	36.82	33.1	45	35.96	40.3	55	35.36	47.5	55	34.71	54.7	75	34.35	61.9	75	33.82	69.79	90	33.47	77.54	90	4
		1250	45.64	42.84	13.4	15	41.68	21	30	40.69	28.6	37	39.74	36.2	45	38.92	43.8	55	38.38	51.4	75	36.72	59	75	36.13	66.6	75	35.74	74.2	90	35.37	81.8	110	4
		1350	49.29	46.49	15.1	18.5	45.33	23.3	30	44.44	31.5	37	43.69	39.7	45	42.74	47.9	55	42.24	56.1	75	41.59	64.3	75	41.08	72.5	90	40.62	80.7	90	40.34	89.47	110	4
		1450	52.94	50.15	17	22	48.99	25.8	30	48.1	34.6	45	47.35	43.4	55	46.69	52.2	75	46.09	61	75	45.54	69.8	75	45.03	78.6	90	44.55	87.4	110	44.09	96.2	110	4
		1600	58.41	54.25	18.54	22	52.5	28.27	37	51.16	38	45	50.03	47.73	55	49.01	57.46	75	48.1	67.19	75	47.25	76.92	90	46.46	86.65	110	45.71	96.38	110	45.01	106.11	132	4
		1800	65.71	60.1	21	30	58.5	32	37	57.2	43	55	56	54	75	55	65	75	54.1	76	90	53.25	87	110	52.42	98	110	51.67	109	132				4
RSR200	200	970	45.2	39.09	14.8	18.5	38.4	19	22	37.67	26.5	30	37.08	34	37	36.46	41.5	55	35.66	49	55	35.03	56.5	75	34.32	64	75	33.67	71.5	90	33.01	79	90	6
		1150	53.15	46.75	16.5	22	45.88	25.3	30	45.41	34.1	37	44.95	42.9	55	44.06	51.7	55	43.45	60.5	75	43.05	69.3	75	42.63	78.1	90	42.06	86.9	110	41.01	95.7	110	4
		1230	56.85	50.67	18.32	22	49.07	27.7	30	48.59	37.1	45	48.09	46.5	55	47.43	55.9	75	46.77	65.3	75	46.58	74.7	90	46.21	84.1	110	45.67	93.5	110	44.76	102.9	110	4
		1390	64.25	55.45	21.4	30	55.24	32	37	54.85	42.6	55	54.53	53.2	75	54.02	63.8	75	53.58	74.4	90	53.11	85	110	52.85	95.6	110	52.45	106.2	132	52.04	116.8	132	4
		1480	68.41	59.32	23.1	30	58.78	34.5	45	58.39	45.9	55	58.09	57.3	75	57.74	68.7	75	57.45	80.1	90	57.12	91.5	110	56.91	102.9	132	56.46	114.3	132	55.96	125.7	160	4
		1600	73.95	68.89	27.07	37	66.78	39.4	45	65.14	51.73	75	63.77	64.06	75	62.55	76.39	90	61.45	88.72	110	60.42	101.05	110	59.47	113.38	132	58.57	125.71	160				4
		1750	80.89	75.82	29.71	37	73.71	43.19	55	72.08	56.67	75	70.7	70.15	90	69.48	83.63	110	68.38	97.2	110	67.36	109.4	132	66.41	122.6	132	65.51	136.1	160				4
RSR250D	250	970	58.28	50.02	17.4	22	47.75	27.2	37	45.9	37	55	44.75	46.8	55	43.75	56.6	75	42.84	66.4	75												6	
		1250	75.11	65.84	23	30	64.08	35.4	45	62.72	47.8	55	61.58	60.2	75	60.57	72.6	90	59.66	85	110	58.13	97.4	110	56.93	109.8	132							4
		1450	87.13	77.86	26	30	76.09	40	45	74.44	54.8	75	73.24	69.2	90	72.29	83.6	110	71.53	98	110	70.15	112.4	132	68.95	126.8	160							4
		1600	94.14	86.37	30	37	84.88	45.6	55	83.35	61.2	75	82.11	76.8	90	81.16	92.4	110	80.39	108	132													4
		1750	105.15	95.29	35	45	93.72	52.4	75	92.15	69.8	75	90.62	87.2	110	89.72	104.6	132	89.25	122	132													4
		1900	114.17	103.9	38.6	45	102.14	57.6	75	101.18	76.6	90	99.88	95.6	110	98.54	114.6	132																4
		2050	123.18	118.92	42	55	111.15	62.4	75	110.36	82.8	110	108.35	103.2	132	106.08	123.6	160																

RSR系列罗茨鼓风机性能表  
RSR SERIES ROOTS BLOWER PERFORMANCE TABLE

风机型号 Model	口径 Bore mm	转速 Rotary Speed r/min	理论流量 m <sup>3</sup> /min	各排气压力下的进口流量Qs (m <sup>3</sup> /min) Inlet Flow (m <sup>3</sup> /min)												所需轴功率La(kw) Shaft Power La(kw)						所配电机功率Po(kw) Motor Power Po(kw)						电机极数 Motor Pole						
				9.8kpa			19.6kpa			29.4kpa			39.2kpa			49kpa			58.8kpa			68.6kpa			78.4kpa				88.2kpa			98kpa		
				n	Qth	Qs	La	Po	Qs	La	Po	Qs	La	Po	Qs	La	Po	Qs	La	Po	Qs	La	Po	Qs	La	Po	Qs		La	Po	Qs	La	Po	P
RSR270	250	970	62.7	56	20	22	53.3	30	37	51.2	40	45	49.3	50	55																6			
		1250	80.89	74.2	22	30	71.4	36	45	69.2	50	55	67.5	64	75																4			
		1450	93.83	87.2	27	37	84.3	43	55	82.2	59	75	80.4	75	90																4			
		1600	103.5	97	31	37	94	48	55	92	65	75	90	82	90																4			
		1750	113.24	106.55	36	45	103.5	55	75	101.5	74	90	99.5	93	110																4			
		1900	122.95	116.5	43	55	113.5	63	75	111.5	83	110	109.5	103	132																4			
		2150	139.13	132.4	54	75	129.7	77	90	128	100	110	126	123	160																4			
RSR250	250	980	73.44	65.77	32.73	37	62.88	44.9	55	61.87	57.1	75	61.07	69.3	75	60.27	81.5	90	59.54	93.7	110	58.88	105.9	110	57.88	118.1	132	56.99	130.3	160	56.43	142.5	160	6
		1150	85.3	78.34	35.9	45	75.49	50.1	75	73.25	64.3	75	71.57	78.5	90	70.94	92.7	110	70.31	106.9	132	69.42	121.1	132	68.44	135.3	160	67.42	149.5	160	66.79	163.7	185	4
		1250	92.72	85.8	39	45	82.9	54.4	75	80.67	69.8	90	78.78	85.2	110	77.09	100.6	110	75.57	116	132	74.17	131.4	160	73.37	146.8	160	72.52	162.2	185	71.69	177.6	185	4
		1320	97.92	91	40	55	88.1	56.4	75	85.86	72.8	90	83.6	89.2	110	82.67	105.6	132	81.73	122	160	80.82	138.4	160	79.91	154.8	185	78.96	171.2	185	78.05	187.6	220	4
		1450	107.56	100.63	42.5	55	97.74	60.3	75	95.51	78.1	90	93.61	95.9	110	91.93	113.7	132	90.4	131.5	160	89.04	149.3	185	87.66	167.1	185	86.41	184.9	200	85.22	202.7	220	4
RSR300	300	980	102.81	92.5	33	45	90.07	50	75	89.06	67	90	88.12	84	110	87.13	101	110	85.98	118	132	85.05	135	160	84.06	152	185						6	
		1150	119.43	110.15	35.5	45	106.28	55.3	75	104.72	75.1	90	103.74	94.9	110	102.75	114.7	132	101.65	134.5	160	100.72	154.3	185	99.9	174.1	200	93.22	193.9	220	89.65	213.7	250	4
		1250	129.81	120.53	41	55	116.67	62.6	75	113.68	84.2	110	111.02	105.8	132	109.78	127.4	160	108.55	149	185	107.23	170.6	200	105.84	192.2	220	102.6	213.8	250	100.04	235.4	280	4
		1350	137.08	126.19	45.2	55	123.95	68	90	122.43	90.8	110	121.05	113.6	132	119.62	136.4	160	118.01	159.2	185	116.53	182	220	114.95	204.8	250	112	227.6	250	110.3	250.4	280	4
		1450	150.59	141.3	51	75	137.44	77	90	134.49	103	132	131.51	129	160	129.96	155	185	128.45	181	200	126.91	207	250	125.41	233	280						4	
RSR300C	300	980	138.93	127.75	41.17	55	123.05	64.4	90	121.61	87.6	110	120.21	110.8	132	118.56	134	160	117.11	157.2	185											6		
		1170	165.87	154.68	49.1	75	150.02	76	90	146.44	104.3	132	143.4	131.9	160	140.72	159.5	185	138.58	187.1	200										4			
		1250	177.21	166.02	53.9	75	161.37	83.3	110	157.78	112.7	132	154.71	142.1	160	152.06	171.5	200	149.62	200.9	220										4			
		1360	192.8	181.62	61.5	75	176.69	93.5	110	173.4	125.5	160	170.34	157.5	185	167.65	189.5	220	165.22	221.5	250										4			
		1480	209.82	198.63	69.3	90	193.97	104.3	132	190.45	139.3	160	187.35	174.3	200	184.67	209.3	250	182.22	244.3	280										4			



HR系列罗茨鼓风机性能表  
HR SERIES ROOTS BLOWER PERFORMANCE TABLE

风机型号 Model	口径 Bore mm	转速 Rotary Speed r/min	理论流量 m³/min	各排气压力下的进口流量Qs (m³/min) Inlet Flow (m³/min)									所需轴功率La(kw) Shaft Power La(kw)						所配电机功率Po(kw) Motor Power Po(kw)						电机极数 Motor Pole										
				9.8kpa			19.6kpa			29.4kpa			39.2kpa			49kpa			58.8kpa			68.6kpa				78.4kpa			88.2kpa			98kpa			
				Qs	La	Po	Qs	La	Po	Qs	La	Po	Qs	La	Po	Qs	La	Po	Qs	La	Po	Qs	La	Po		Qs	La	Po	Qs	La	Po	Qs	La	Po	Qs
HRE250	250	970	74.23	67.1	21	30	64	33	45	61	45	55	58.1	57	75	56.1	67	90	54.1	79	110	52.1	91	110											6
		1120	84.84	76.8	23	30	73.4	36	45	70.8	49	75	68.7	62	75	66.7	76	90	65	90	110	63.3	104	132											4
		1280	96.96	88.9	25	30	85.6	41	55	83	57	75	80.8	73	90	78.8	90	110	77.1	106	132	75.5	122	160											4
		1450	109.84	101.8	27	37	98.4	45	55	95.8	63	75	93.7	81	110	91.7	100	110	90	118	132	88.3	136	160											4
		1600	121.2	113.1	30	37	109.8	51	75	107.2	72	90	105	93	110	103.1	113	132	101.3	134	160	99.7	155	185											4
		1780	134.8	126.8	33	45	123.4	57	75	120.8	81	110	118.7	105	132	116.7	128	160	115	152	185	113.3	176	200											4
HRE290	300	970	100.96	91.5	22	30	87.6	40	55	84.6	58	75	82	76	90	79.8	93	110																	6
		1120	115.38	105.9	28	37	102	48	55	99	68	90	96.5	88	110	94.2	108	132																	4
		1280	131.87	122.47	31	37	118.5	53	75	115.5	75	90	112.9	97	110	110.7	121	132																	4
		1450	149.38	139.9	35	45	136	60	75	133	85	110	130.4	110	132	128.2	135	160																	4
		1600	164.84	155.4	37	45	151.5	65	90	148.5	93	110	145.9	121	160	143.6	151	185																	4
		1780	183.38	173.9	43	55	170	75	90	167	107	132	164.4	139	160	162.2	173	200																	4
HRE300	300	970	111.69	102.6	25	30	98.35	44	55	95.06	63	75	92.28	82	110	89.82	101	132																	6
		1120	128.96	118.94	30	37	114.77	51	75	111.56	72	90	108.84	93	110	106.43	114	132																	4
		1280	147.38	137.3	33	45	133.2	58	75	129.9	83	110	127.26	108	132	124.85	133	160																	4
		1450	166.96	156.9	37	45	152.7	65	75	149.5	93	110	146.8	121	132	144.4	147	160																	4
		1600	184.23	174.2	45	55	170	78	90	166.8	111	132	164.1	144	160	161.7	176	200																	4
		1780	204.96	194.9	50	75	190.7	86	110	187.5	122	160	184.8	158	185	182.4	192	220																	4

HR系列罗茨鼓风机性能表  
HR SERIES ROOTS BLOWER PERFORMANCE TABLE

风机型号 Model	口径 Bore mm	转速 Rotary Speed r/min	理论流量 m³/min	各排气压力下的进口流量Qs (m³/min) Inlet Flow (m³/min)									所需轴功率La(kw) Shaft Power La(kw)						所配电机功率Po(kw) Motor Power Po(kw)						电机极数 Motor Pole									
				9.8kpa			19.6kpa			29.4kpa			39.2kpa			49kpa			58.8kpa			68.6kpa				78.4kpa			88.2kpa			98kpa		
				Qs	La	Po	Qs	La	Po	Qs	La	Po	Qs	La	Po	Qs	La	Po	Qs	La	Po	Qs	La	Po		Qs	La	Po	Qs	La	Po	Qs	La	Po
HRF245	250	980	86.2	76.2	19	30	73.5	34	45	71.4	48	75	69.5	64	90	67.7	79	90	66.1	94	110	64.3	109	132	63.3	124	160	61.5	139	160	60	153	185	6
		1450	127.5	121.3	30	37	119.4	52	75	117.6	72	90	114.6	95	110	112.1	117	132	110.2	138	160	108.6	160	185	107.4	182	200	105.6	204	250	104	226	250	4
HRF250	250	980	101.2	94.3	22	30	90.4	39	55	87.4	56	75	85	73	90	82.8	91	110	80.9	106	132	79.2	122	160	77.8	138	160	75.4	154	185				6
		1450	150	145.1	33	45	141.1	59	75	138.1	85	110	136.4	111	132	134.2	137	160	132.1	163	200	130.4	188	220	129.2	213	250	127.4	239	280				4
HRF290	300	980	106.5	99	25	30	93.5	42	55	90.6	60	75	88	78	90	85.9	96	110	84	114	132	82.4	132	160	81	151	185							6
		1450	157.7	150.5	35	45	146.7	63	75	143.8	90	110	141.2	117	132	139.1	145	160	137.2	172	185	135.6	200	220	134.1	227	250							4
HRF300	300	980	132.4	119.7	30	37	115.6	53	75	112.4	75	90	109.5	98	110	106.9	120	132	104.5	143	160	102.4	165	185										6
		1450	196	190.2	45	55	186.5	78	90	182.8	112	132	179.7	146	160	176.9	180	200	174.6	214	250	172.3	248	280										4
HRF350	350	980	158.2	148.85	36	45	144.41	62	75	140.99	88	110	137.09	114	132	133.53	142	160																6
		1450	234.2	226.31	53	75	221.87	93	110	218.45	133	160	215.55	172	200	212.99	212	250																4
HRF400	400	980	193.8	183.02	41	55	178.01	75	90	174.16	109	132	170.89	143	185	168.01	180	200																6
		1450	286.7	277.52	60	75	272.51	112	132	268.66	164	185	265.4	216	250	262.5	269	315																4
HRG400	400	730	223	212.6	51	75	206	88	110	200.9	125	160	196.6	162	200	192.8	199	220	189.4	236	280	186.2	273	315	183.2	310	355	180.4	347	400				8
		980	300	291.3	64	75	285.6	115	132	281.6	167	200	276.4	219	250	273.5	269	315	269.6	321	355	266.7	372	400	264.4	424	500	261.6	474	560				6
HRG445	450	730	252	240.13	54	75	235.18	97	132	231.36	141	185	228.13	185	220	225.28	229	250	222.69	273	315	220.3	317	355	218.06	361	400						8	
		980	338	328.16	71	90	323.2	130	160	319.32	189	220	316.16	248	280	311.3	308	355	307.71	366	400	305.32	424	450	299.09	482	560						6	
HRG450	450	730	280	265.7	61	75	258.8	108	132	254.77	155	185	250.37	202	220	246.36	250	280	242.62	296	355	238.1	343	400									8	
		980	376	365.5	80	110	358.61	144	185	354.58	208	250	351.18	272	315	348.16	337	400	343.43	401	450	338.91	465	500									6	

HR系列罗茨鼓风机性能表  
HR SERIES ROOTS BLOWER PERFORMANCE TABLE

风机型号 Model	口径 Bore mm	转速 Rotary Speed r/min n	理论流量 m³/min Qth	各排气压力下的进口流量Qs (m³/min) Inlet Flow (m³/min)									所需轴功率La(kw) Shaft Power La(kw)						所配电机功率Po(kw) Motor Power Po(kw)									电机极数 Motor Pole P						
				9.8kpa			19.6kpa			29.4kpa			39.2kpa			49kpa			58.8kpa			68.6kpa			78.4kpa				88.2kpa			98kpa		
				Qs	La	Po	Qs	La	Po	Qs	La	Po	Qs	La	Po	Qs	La	Po	Qs	La	Po	Qs	La	Po	Qs	La	Po		Qs	La	Po	Qs	La	Po
HRG500	500	730	348	333.3	73	90	327.4	132	160	321.88	192	220	314.05	250	280	310.67	310	355	306.6	370	400													8
		980	467	454.32	97	132	448.44	177	200	436.92	257	280	433.09	337	355	428.17	417	450	422.64	497	560													6
HRG600	600	730	400	384.25	83	110	374.78	148	185	367.5	218	250	361.35	288	315	355.93	354.51	400															8	
		980	536	520	103	132	510.52	199	250	503.25	295	355	497.1	391	450	491.67	490	560															6	
HRZ600	600	730	459.87	433.24	95	110	423.01	173	200	415.15	251	280	408.51	329	355	402.65	407	450	397.35	485	560	392.46	563	630	388.27	641	710	384	719	800	379.96	797	900	8
		980	617.37	590.73	130	160	578.51	234	250	571.64	338	355	564.01	442	500	557.15	546	630	548.84	650	710	540.95	754	800	530.76	858	900	520.49	962	1120	510.45	1066	1250	6
HRZ600T	600	730	513.98	484.7	108	132	473.9	192	220	465.55	276	315	458.49	360	400	452.26	446.54	500	446.62	531	630	441.32	615	710	436.42	699	800	431.86	783	900	427.53	867	1000	8
		980	690	660.8	147	160	649.93	263	280	641.57	379	450	634.51	495	560	628.28	614	710	622.64	730	800	617.44	846	900	611.44	962	1120	604.88	1078	1250	599.55	1194	1400	6
HRZ700	700	730	572.59	540.09	122	132	527.84	218	250	518.43	314	355	509.49	410	450	503.48	510	560	497.13	606	710	490.88	702	800	484.68	798	900	477.79	894	1000	470.15	990	1120	8
		980	768.69	739.18	164	185	726.94	292	355	717.53	420	450	709.58	548	630	702.57	680	710	696.22	808	900	693.2	938	1000	687.94	1066	1120	683	1194	1400	678.32	1322	1400	6
HRZ800	800	730	653.74	620.5	145	160	607.96	255	280	597.31	365	400	589.17	475	560	581.99	585	630	575.19	695	800	569.1	805	900	563.42	915	1120							8
		980	877.63	844.5	190	220	831.41	338	400	823.12	486	560	815.27	634	710	805.35	782	900	798.07	930	1000	791.98	1078	1250	783.3	1226	1400							6
HRZ800T	800	730	694.32	659.01	148	185	646.44	264	315	637.78	380	400	629.62	496	560	618.42	616.33	710	611.55	732	800	606.2	848	900									8	
		980	932.1	896.8	198	220	884.22	354	400	875.56	510	560	867.4	666	710	861.2	825	900	850.34	981	1120	842.99	1137	1250									6	
HRZ900	900	730	766.46	726.07	163	200	715.63	291	355	705.3	419	450	697.58	547	630	685.38	676	710	678.98	804	900	672.17	932	1000									8	
		980	1028.95	991.55	223	250	977.12	404	450	968.79	580	710	960.07	756	900	948.86	930	1120	941.47	1108	1250	933.66	1284	1400									6	
HRZ900T	900	730	825	782.4	178	200	769.5	314	355	757.6	450	500	745.4	586	630	732.8	722	800	721.6	858	900												8	
		980	1107.6	1066.3	234	250	1050.2	418	450	1038.6	602	710	1027.5	786	900	1017.7	970	1120	1004.8	1154	1250												6	
HRZ900L	900	730	901.7	858.2	188	220	842.6	340	400	830.7	491	560	820.6	642	710	811.2	792	900	803.5	944	1120												8	
		980	1210.5	1165	252	280	1150.5	456	500	1134.9	660	710	1120.6	864	1000	1107.4	1070	1250	1094.7	1274	1400												6	

MTRF/MG/RG系列罗茨鼓风机性能表  
MTRF/MG/RG SERIES ROOTS BLOWER PERFORMANCE TABLE

风机型号 Model	口径 Bore mm	转速 Rotary Speed r/min	理论流量 m³/min	各排气压力下的进口流量Qs (m³/min) Inlet Flow (m³/min)									所需轴功率La(kw) Shaft Power La(kw)						所配电机功率Po(kw) Motor Power Po(kw)						电机极数 Motor Pole									
				9.8kpa			19.6kpa			29.4kpa			39.2kpa			49kpa			58.8kpa			68.6kpa				78.4kpa			88.2kpa			98kpa		
				n	Qth	Qs	La	Po	Qs	La	Po	Qs	La	Po	Qs	La	Po	Qs	La	Po	Qs	La	Po	Qs		La	Po	Qs	La	Po	Qs	La	Po	Qs
MTRF250	250	730	97.8	86.9	21	30	84.2	38	45	82	54	75	80.1	70	90	78.3	87	110	76.7	103	132	75.1	120	132	73.7	136	160	72.3	153	185	71.6	161	185	8
		980	131.3	120.4	29	37	117.7	51	75	115.5	72	90	113.6	95	110	111.8	117	132	110.2	139	160	108.6	161	185	107.2	183	200	105.8	205	250	104.5	227	250	6
MTRF290	300	730	115.3	105	25	30	101.1	45	55	98.1	64	75	95.7	83	90	93.5	103	132	91.6	122	132	89.9	141	160	88.5	160	185	86.1	179	200	84.5	198	220	8
		980	154.8	144.5	33	45	140.6	59	75	137.6	85	110	135.2	110	132	133	136	160	131.1	161	185	129.4	187	220	128	213	250	125.6	240	280	124	277	315	6
MTRF295	300	730	122.3	110.8	26	30	107.5	47	55	104.1	67	75	101.5	88	110	99.4	108	132	97.5	128	160	95.8	149	185	94.4	169	185	93	189	200	89.7	210	250	8
		980	164.1	152.5	35	45	148.7	63	75	145.8	90	110	143.2	117	132	141.1	145	160	139.2	172	185	137.6	200	220	136.2	227	250	134.8	254	280	131.6	281	315	6
MTRF300	300	730	150.2	137.2	32	37	133.1	57	75	129.9	82	90	127	107	132	124	132	160	122	157	185	119.9	182	200	118	207	250	115.7	232	250				8
		980	201.7	188.7	43	55	184.6	76	90	181	110	132	178.5	144	160	175.9	178	200	173.5	211	250	171.4	245	280	169.5	278	315	167.1	311	355				6
MTRF350	350	730	178.2	164	37.2	45	159	66.9	75	155	96.6	110	151	126	160	148	156	185	146	186	200	142.8	215	250										8
		980	239.2	225	49.9	75	220	89.8	110	216	130	160	212	170	185	209	209	250	207	249	280	203.9	289	315										6
MTMG395	400	730	198.77	184	41.1	55	177	74.3	90	173	107	132	169	141	160	165	174	200	162	207	250	159	240	280	156	273	315							8
		980	266.84	252	55.2	75	246	99.7	110	241	144	160	237	189	220	233	233	250	230	278	315	227	322	355	224	367	400							6
MTMG400	400	730	220.85	204	45.3	55	198	82.1	90	193	119	132	188	156	185	184	193	220	181	229	250	178	266	280										8
		980	296.48	280	60.8	75	273	110	132	268	160	185	264	209	250	260	258	280	256	308	355	253	357	400										6
MTMG450	450	730	253.97	235.4	49.83	55	228.8	90.31	110	223.3	131	160	217.8	171.6	200	213.4	212.3	250																8
		980	340.95	322.5	66.88	75	314.8	121	132	309.3	176	200	304.1	230	280	300.5	283.8	315																6
MTRG350	350	590	197.3	184.8	43	55	179.3	76	90	175.3	109	132	172.3	142	185	169.6	175	220	167.2	208	250	164.8	241	280	162.8	274	315	160.8	307	355	159.3	324	355	10
		730	244.1	231.6	52.5	75	226.1	93.4	110	222.1	134	160	219.1	175	200	216.4	216	250	214	257	280	211.6	297	355	209.6	338	400	207.6	380	450	206.1	420	450	8
MTRG400	400	590	248.1	232	52	75	226.1	94	110	221.3	135	160	217.1	177	200	213.4	218	250	209.5	260	280	207	301	355	204.6	343	400							10
		730	306.9	290.9	64	75	284.8	115	132	280.1	167	200	275.8	219	250	272.2	269	315	268.7	321	355	265.9	372	400	263.3	424	500							8
MTRG445	450	590	278.96	262	56.96	75	255	113.91	132	249.7	161	185	245.16	202.5	220	241.17	253.14	280	237.57	291	315	234.25	339.3	355	231.16	387.78	450							10
		730	345.15	328.25	72	90	321.25	130	160	315.88	188	220	311.35	246	280	307.36	303	355	303.76	362	400	300.44	419	450	297.35	479.8	560							8
MTRG450	450	590	310.1	292.6	64	75	285.1	116	132	279.9	168	185	275	220	250	271	271	315	267.6	323	355	264.1	375	400										10
		730	383.7	366.2	79	90	358.6	143	185	353	207	250	348.6	271	315	344.7	335	400	341.1	400	450	337.6	464	500										8
MTRG500	500	590	383.7	361.4	78	90	352.4	142	185	345.7	206	220	339.9	270	315	334	334	355	329.1	398	450													10
		730	474.4	452.4	96	132	443	175	220	436.7	253	315	430.5	333	355	425.4	412	450	420.7	492	560													8
MTRG600	600	590	436.47	413.75	83.88	110	404.33	167.75	185	397.11	252	280	391.02	335.49	400	285.66	419.37	450	380.81	503	560													10
		730	540.04	517.32	103.77	132	507.9	207.55	250	500.68	311	355	494.5	415.1	450	489.2	518.88	560	484.21	623	710													8

MTRZ系列罗茨鼓风机性能表  
MTRZ SERIES ROOTS BLOWER PERFORMANCE TABLE

风机型号 Model	口径 Bore mm	转速 Rotary Speed r/min	理论流量 m <sup>3</sup> /min	各排气压力下的进口流量Qs (m <sup>3</sup> /min) Inlet Flow (m <sup>3</sup> /min)									所需轴功率La(kw) Shaft Power La(kw)						所配电机功率Po(kw) Motor Power Po(kw)						电机极数 Motor Pole									
				9.8kpa			19.6kpa			29.4kpa			39.2kpa			49kpa			58.8kpa			68.6kpa				78.4kpa			88.2kpa			98kpa		
				Qs	La	Po	Qs	La	Po	Qs	La	Po	Qs	La	Po	Qs	La	Po	Qs	La	Po	Qs	La	Po		Qs	La	Po	Qs	La	Po	Qs	La	Po
MTRZ7-600	600	490	513.37	479.5	107.5	132	465.5	192.8	220	454.7	277	315	445.6	360.8	400	437.6	446.2	500	430.3	535	630	423.6	618.1	710	417.4	699	800	411.5	786.4	900				12
		590	618.14	584.3	129.5	160	570.3	232.2	250	559.5	333	400	550.4	434.4	500	542.3	537.3	630	535.1	645	710	528.4	744.2	800	522.2	841.7	900	516.3	946.9	1120				10
MTRZ7-700	700	490	583.75	542.1	122.3	132	524.8	219.3	250	511.6	315	355	500.4	410.3	450	490.5	507.4	560	481.6	609	710	473.4	702.8	800	465.7	794.9	900							12
		590	702.88	661.2	147	160	644	264	315	630.7	379	450	619.5	494	560	609.6	610.9	710	600.7	733	800	592.5	846.3	900	584.9	957.1	1120							10
MTRZ7-750	800	490	645.8	608.9	135.3	185	593.6	242.6	280	581.9	348	400	572	453.9	500	563.2	561.4	630	555.3	674	710													12
		590	777.6	740.7	162.9	185	725.4	292.1	355	713.7	419	500	703.8	546.6	630	695	675.9	710	687.1	811	900													10
MTRZ7-800	800	490	736.9	689.6	154	185	671	277	315	657.5	397	450	646.7	518	560	637.7	641	710																12
		590	887.3	841.6	186	220	823.7	333	400	810.6	478	560	800.1	624	710	791.4	772	900																10
MTRZ8-700	700	490	779.31	738.4	163.3	185	721.4	292	355	708.3	420	450	697.3	547	630	687.5	677.3	800	678.7	813	900	670.6	938	1000	663	1061.2	1120							12
		590	938.3	897	196	250	880	352	400	867.4	505	560	856.3	659.5	710	846.6	815.5	900	837.8	979	1120	829.7	1130	1250	822.1	1278	1400							10
MTRZ8-800	800	490	916.8	871.1	192.1	220	852.2	344.4	400	837.6	494	560	825.3	644.3	710	814.4	796.9	900	804.7	956	1120													12
		590	1103.9	1058.2	231.3	250	1039.3	414.7	450	1024.7	595	710	1012.4	775.8	900	1001.5	959.5	1120	991.7	1151	1250													10
MTRZ8-900	900	490	1117	1035	229	280	1013	410	500	995	587	710	981	767	900	968	948	1120																12
		590	1345	1258	275	315	1236	494	560	1219	707	800	1205	923	1000	1192	1141	1250																10

RSR系列罗茨真空泵性能表  
RSR SERIES VACUUM PUMP PERFORMANCE TABLE

风机型号 Model	口径 Bore mm	转速 Rotary Speed r/min	各排气压力下的进口流量Qs (m³/min) Inlet Flow (m³/min)																											所需轴功率La(kw) Shaft Power La(kw)			所配电机功率Po(kw) Motor Power Po(kw)			电机极数 Motor Pole
			-13.3kpa			-19.9kpa			-26.6kpa			-33.3kpa			-39.2kpa			-44.1kpa			-49kpa			-58.8kpa			-68.6kpa			-78.4kpa						
			n	Qs	La	Po	Qs	La	Po	Qs	La	Po	Qs	La	Po	Qs	La	Po	Qs	La	Po	Qs	La	Po	Qs	La	Po	Qs	La	Po	Qs	La	Po	P		
RSR50V	50	1230	1.29	0.47	1.1	1.20	0.67	1.5	1.10	0.88	1.5	1.02	1.08	2.2																	4					
		1350	1.45	0.58	1.5	1.36	0.80	1.5	1.26	1.02	1.5	1.16	1.24	2.2																	4					
		1470	1.62	0.74	1.5	1.54	0.96	1.5	1.45	1.18	1.5	1.35	1.40	2.2	1.25	1.62	2.2	1.21	1.75	3												4				
		1560	1.76	0.86	1.5	1.69	1.09	2.2	1.60	1.31	2.2	1.50	1.54	2.2	1.37	1.76	3	1.31	1.89	3												4				
		1660	1.88	0.93	1.5	1.81	1.17	2.2	1.71	1.41	2.2	1.61	1.66	3	1.48	1.90	3	1.42	2.04	3												4				
		1750	1.99	0.99	2.2	1.92	1.27	2.2	1.82	1.50	3	1.71	1.76	3	1.58	2.02	3	1.52	2.17	4												4				
		1850	2.12	1.13	2.2	2.05	1.39	2.2	1.95	1.65	3	1.84	1.91	3	1.71	2.17	4	1.64	2.32	4												4				
		1960	2.27	1.28	2.2	2.20	1.55	3	2.10	1.81	3	1.99	2.08	3	1.90	2.34	4	1.85	2.5	4												4				
		2120	2.46	1.56	3	2.38	1.84	3	2.27	2.21	4	2.15	2.40	4	2.02	2.67	4	1.95	2.83	4											4					
RSR65V	65	1360	2.08	0.95	1.5	1.93	1.24	2.2	1.78	1.52	2.2	1.64	1.81	3																	4					
		1460	2.27	1.05	2.2	2.13	1.35	2.2	1.99	1.65	2.2	1.84	1.96	3	1.70	2.26	3	1.61	2.44	3												4				
		1550	2.47	1.13	2.2	2.32	1.45	2.2	2.17	1.77	3	2.03	2.09	3	1.88	2.41	3	1.8	2.6	4												4				
		1670	2.70	1.24	2.2	2.56	1.58	2.2	2.42	1.93	3	2.27	2.28	3	2.13	2.62	4	2.05	2.83	4												4				
		1770	2.90	1.32	2.2	2.76	1.69	3	2.62	2.06	3	2.49	2.43	4	2.35	2.79	4	2.27	3.03	4												4				
		1860	3.08	1.44	2.2	2.94	1.82	3	2.80	2.20	3	2.65	2.59	4	2.51	2.98	4	2.44	3.2	4												4				
		1980	3.33	1.60	3	3.18	2.00	3	3.03	2.41	3	2.89	2.81	4	2.74	3.23	4	2.72	3.47	5.5												4				
		2150	3.57	1.84	3	3.43	2.28	4	3.30	2.72	4	3.16	3.16	4	3.02	3.60	5.5	2.92	3.86	5.5												4				
RSR80V	80	1240	3.29	1.17	2.2	3.15	1.66	3	3.00	2.14	3	2.85	2.63	4	2.69	3.11	4	2.62	3.4	5.5											4					
		1300	3.49	1.30	2.2	3.35	1.80	3	3.20	2.30	3	3.05	2.80	4	2.89	3.30	5.5	2.82	3.6	5.5											4					
		1370	3.73	1.44	2.2	3.59	1.96	3	3.44	2.49	3	3.29	3.01	4	3.13	3.53	5.5	3.06	3.84	5.5											4					
		1470	4.03	1.60	3	3.89	2.16	3	3.74	2.73	4	3.59	3.30	5.5	3.43	3.86	5.5	3.35	4.2	5.5											4					
		1570	4.35	1.82	3	4.21	2.40	3	4.07	2.99	4	3.92	3.57	5.5	3.77	4.16	5.5	3.66	4.51	5.5											4					
		1660	4.64	2.01	3	4.51	2.62	4	4.37	3.24	4	4.22	3.85	5.5	4.06	4.46	5.5	3.96	4.82	7.5											4					
		1750	4.95	2.23	3	4.81	2.85	4	4.67	3.48	5.5	4.53	4.11	5.5	4.38	4.73	7.5	4.27	5.1	7.5											4					
		1840	5.23	2.42	3	5.10	3.09	4	4.96	3.75	5.5	4.81	4.42	5.5	4.65	5.09	7.5	4.55	5.48	7.5											4					
		1930	5.53	2.64	4	5.40	3.33	5.5	5.26	4.02	5.5	5.11	4.72	7.5	4.95	5.41	7.5	4.85	5.82	7.5											4					
		2100	6.09	2.88	4	5.96	3.65	5.5	5.82	4.42	5.5	5.65	5.19	7.5	5.49	5.96	7.5	5.41	6.42	11										4						

RSR系列罗茨真空泵性能表  
RSR SERIES VACUUM PUMP PERFORMANCE TABLE

风机型号 Model	口径 Bore mm	转速 Rotary Speed r/min	各排气压力下的进口流量Qs (m³/min) Inlet Flow (m³/min)									所需轴功率La(kw) Shaft Power La(kw)						所配电机功率Po(kw) Motor Power Po(kw)						电机极数 Motor Pole										
			-13.3kpa			-19.9kpa			-26.6kpa			-33.3kpa			-39.2kpa			-44.1kpa			-49kpa				-58.8kpa			-68.6kpa			-78.4kpa			
			n	Qs	La	Po	Qs	La	Po	Qs	La	Po	Qs	La	Po	Qs	La	Po	Qs	La	Po	Qs	La		Po	Qs	La	Po	Qs	La	Po	Qs	La	Po
RSR100V	100	1160	4.83	1.8	3	4.56	2.53	4	4.29	3.27	5.5	4.03	4.01	5.5	3.78	4.72	7.5	3.63	5.15	7.5														4
		1320	5.8	2.09	3	5.54	2.94	4	5.27	3.79	5.5	5.01	4.64	5.5	4.74	5.49	7.5	4.58	6	7.5														4
		1480	6.51	2.27	3	6.28	3.19	4	6.05	4.14	5.5	5.82	5.05	7.5	5.6	5.97	7.5	5.47	6.51	11														4
		1700	7.57	2.66	4	7.37	3.72	5.5	7.16	4.79	7.5	6.95	5.86	7.5	6.73	6.92	11	6.6	7.56	11														4
		1890	8.47	3.03	4	8.29	4.21	5.5	8.09	5.39	7.5	7.88	6.56	11	7.66	7.74	11	7.53	8.45	11														4
		2010	9.08	3.23	5.5	8.92	4.48	5.5	8.75	5.74	7.5	8.57	7	11	8.38	8.26	11	8.27	9.03	11														4
RSR125V	125	980	6.24	2.27	4	5.97	3.17	5.5	5.7	4.07	5.5	5.42	4.49	5.5	5.14	5.86	7.5	5.01	6.4	7.5														6
		1200	7.77	3.26	5.5	7.51	4.31	5.5	7.25	5.37	7.5	6.98	6.42	7.5	6.96	7.47	11	6.58	8.08	11													4	
		1310	8.57	3.71	5.5	8.36	4.87	7.5	8.13	6.02	7.5	7.88	7.18	11	7.61	8.33	11	7.44	9	11														4
		1470	9.7	4.37	5.5	9.48	5.66	7.5	9.25	6.95	11	9.02	8.23	11	8.78	9.5	11	8.5	10.28	15														4
		1650	11	5.18	7.5	10.7	6.64	7.5	10.5	8.11	11	10.3	9.58	15	10.1	11.1	15	9.64	11.93	15														4
		1770	11.8	5.7	7.5	11.5	7.23	11	11.3	8.75	11	11.1	10.3	15	10.9	11.8	15	10.38	12.71	15														4
		1880	12.5	6.25	7.5	12.3	7.86	11	12	9.46	11	11.8	11.1	15	11.6	12.7	15	11.16	13.66	15														4
		2000	13.37	6.84	11	13.17	8.55	11	12.85	10.2	15	12.51	11.97	15	12.21	13.69	15	12.04	14.72	18.5														4
RSR150V	150	990	15.6	4.46	7.5	15.15	6.58	7.5	14.7	8.7	11	14.25	10.8	15	13.8	12.9	18.5	13.6	14.2	18.5	13.35	15.9	18.5	12.45	19.23	22	12	21.34	30	11.1	25.56	30	6	
		1200	19.2	7.57	11	18.73	9.93	11	18.25	12.3	15	17.77	14.7	18.5	17.3	17	22	17	18.7	22	16.82	19.36	22	15.87	24.07	30	15.4	26.43	30	14.45	31.15	37	4	
		1410	22.5	10.5	15	22.1	13.2	15	21.7	15.9	18.5	21.3	18.6	22	20.9	21.3	30	20.7	23.4	30	20.5	24	30	19.7	29.4	37	19.3	32.1	37	18.5	37.5	45	4	
		1670	26.5	14.3	18.5	26	17.4	22	25.5	20.5	22	25	23.5	30	24.5	26.6	30	24.3	28	37	24	29.67	37	23	35.82	45	22.5	38.9	45	21.5	45.05	55	4	
		1900	29.25	17.77	22	28.62	21.09	30	27.98	24.8	30	27.35	28.45	37	26.72	32.26	37	26.4	34	37	26.09	35.95	45	24.82	43.25	55	24.19	46.9	55	22.93	54.2	75	4	
RSR175AV	150	970	16.1	6.95	11	15.6	8.7	11	14.55	11.3	15	13.5	14	18.5	12.9	15.7	18.5	12.1	17.5	22													6	
		1150	20	8.1	11	19.5	10.2	15	18.45	13.3	18.5	17.4	16.5	22	16.8	18.5	22	16	20.6	30	15	22.7	30										4	
		1450	26.4	10.1	15	25.9	12.7	15	24.85	16.7	22	23.8	20.6	30	23.2	23.2	30	22.4	25.9	30	21.4	28.5	37										4	
		1750	32.8	12.2	15	32.3	15.3	18.5	31.25	20.0	30	30.2	24.8	30	29.6	28	37	28.8	31.2	37	27.8	34.3	45										4	
		2000	38.2	13.9	18.5	37.7	17.5	22	36.63	22.9	30	35.6	28.3	37	35	31.9	37	34.2	35.5	45	33.2	39.1	45										4	

RSR系列罗茨真空泵性能表  
RSR SERIES VACUUM PUMP PERFORMANCE TABLE

风机型号 Model	口径 Bore mm	转速 Rotary Speed r/min	各排气压力下的进口流量Qs (m³/min) Inlet Flow (m³/min)																											所需轴功率La(kw) Shaft Power La(kw)			所配电机功率Po(kw) Motor Power Po(kw)			电机极数 Motor Pole
			-13.3kpa			-19.9kpa			-26.6kpa			-33.3kpa			-39.2kpa			-44.1kpa			-49kpa			-58.8kpa			-68.6kpa			-78.4kpa						
			Qs	La	Po	Qs	La	Po	Qs	La	Po	Qs	La	Po	Qs	La	Po	Qs	La	Po	Qs	La	Po	Qs	La	Po	Qs	La	Po	Qs	La	Po	Qs	La	Po	
RSR200HV	200	970	30.2	11.5	15	29.5	14.5	18.5	28.3	19	22	27.1	23.5	30	26.4	26.5	37	25.6	29.5	37	24.8	32.5	45	23	38.5	45	21.7	44.5	55	20.1	50.5	75	6			
		1170	37.6	13.6	18.5	36.9	17.2	22	35.7	22.65	30	34.5	28.1	37	33.8	31.7	37	32.9	35.3	45	32.2	39	45	30.7	46.2	55	29.1	53.5	75	27.6	60.7	75	4			
		1250	40.4	14.8	18.5	39.5	18.6	22	38.15	24.3	30	36.8	30	37	35.9	33.8	45	35	37.6	45	34.1	41.5	55	32.3	49.1	75	30.5	56.7	75	28.7	64.3	75	4			
		1350	44.2	16.1	22	43.5	20.3	30	42.3	26.6	30	41.1	32.9	45	40.4	37.1	45	39.6	41.3	55	38.8	45.5	55	37.3	53.8	75	35.7	62.2	75	34.1	70.6	90	4			
		1450	47	18.3	22	46.1	22.3	30	44.95	27.95	37	43.9	35.6	45	43.3	40.3	45	42.7	45.8	55	39	50.2	55	39	61.3	75	37.8	71.6	90	36.9	81	90	4			
RSR200V	200	980	38.4	14.4	18.5	37.7	19.1	22	37	23.9	30	36.4	28.6	37	35.7	33.4	45	35.1	38.1	45	34.4	42.9	55	32.6	52.4	75	30	61.9	75	27.6	71.4	90	6			
		1150	45.9	18.6	22	44.9	24.1	30	43.9	29.6	37	42.9	35.1	45	41.9	40.6	55	40.9	46.1	55	39.9	51.6	75	37.9	62.6	75	36	73.7	90	34	84.7	110	4			
		1290	49	20.58	30	47.9	26.6	37	46.9	32.6	45	45.8	38.6	45	44.8	44.7	55	43.7	50.7	75	42.7	56.7	75	40.6	68.8	90	38.5	80.9	110	36.4	92.9	110	4			
		1310	52.2	23	30	51.1	29.4	37	49.9	35.8	45	48.8	42.2	55	47.7	48.7	75	46.6	55.1	75	45.4	61.5	75	43.2	74.3	90	40.9	87.2	110	38.6	100	132	4			
		1480	58.6	27.2	37	57.4	34.5	45	56.2	41.8	55	55	49.1	75	53.8	56.4	75	52.6	63.7	75	51.4	71	90	48.9	85.6	110	46.5	100.2	132	44.1	114.9	160	4			
RSR250DV	250	970	47.95	17.55	22	46.4	22.2	30	44.45	29.2	37	42.5	36.2	45	41.2	40.9	55	39.75	45.55	55	38.3	50.2	75										6			
		1250	64.4	22.45	30	62.9	28.5	37	61.02	37.58	45	59.1	46.65	55	57.8	52.7	75	56.45	58.75	75	55.1	64.8	75										4			
		1450	76.1	25.75	30	74.7	32.8	45	72.83	43.3	55	70.95	53.85	75	69.7	60.9	75	68.35	67.9	75	67	74.9	90										4			
		1600	85	28.4	37	83.6	36.2	45	81.73	47.83	55	79.9	59.45	75	78.7	67.2	90	77.35	75	90	76	82.8	110										4			
		1750	93.8	31	37	92.4	39.5	55	90.6	52.25	75	88.8	65	75	87.6	73.5	90	86.3	82	110	85	90.5	110										4			
		1900	102.5	33.75	45	101	43	55	99.43	56.88	75	97.7	70.8	90	96.5	80.1	110																4			
RSR250V	250	990	61.6	45.73	55	60.8	50.85	55	60	55.98	75	59.3	66.23	75	58.5	71.35	75	57.8	76.47	90	57	81.6	90	55.5	91.84	110	54	102.09	110	52.4	112.34	132	6			
		1150	70.3	58.91	75	69.5	64.33	75	68.7	69.75	75	68	80.58	90	67.2	86	90	66.5	91.42	110	65.7	96.83	110	70.6	107.67	132	69.1	118.5	132	67.5	129.34	160	4			
		1250	76.7	62.68	75	75.9	68.95	75	75.1	75.21	90	74.4	87.74	90	73.6	94.01	110	72.9	100.28	110	72.1	106.54	110	70.6	119.08	132	69.1	131.61	160	67.5	144.14	160	4			
		1320	82.4	66.45	75	81.5	73.56	90	80.7	80.68	90	80	94.91	110	79.2	102.02	110	78.5	109.13	132	77.4	116.25	132	76.2	130.47	160	74.7	144.7	160	73.1	158.93	185	4			
		1450	88.4	70.22	75	87.6	78.18	90	86.8	86.14	90	86.1	102.07	110	85.3	110.03	132	84.6	117.99	132	83.8	125.95	132	82.3	133.91	160	80.8	157.8	185	79.2	173.72	185	4			
RSR300V	300	970	88.1	55.11	75	87.5	63.93	75	86.9	72.75	90	86.3	81.57	90	85.7	90.39	110	85.1	99.21	110	84.5	108.03	132	83.3	125.66	160	82.1	143.3	160	80.9	160.94	185	6			
		1170	103.5	62.37	75	102.8	72.35	90	102.1	82.32	90	101.4	92.32	110	100.7	102.27	110	100.1	112.25	132	99.4	122.23	132	98	142.18	160	96.7	162.13	185	95.3	182.08	200	4			
		1250	110.8	69.62	90	110	80.75	90	109.3	91.89	110	108.5	103.2	110	107.8	114.15	132	107.1	125.28	132	106.3	136.42	160	104.8	158.68	185	103.4	180.95	200	101.9	203.21	220	4			
		1360	121.1	75.71	90	120.2	87.94	110	119.4	100.17	110	118.5	112.4	132	117.7	124.63	132	116.9	136.86	160	116	149.09	160	114.3	173.54	185	112.7	198	220	111	222.46	250	4			
		1480	131.2	81.79	90	130.4	95.12	110	129.6	108.44	132	128.9	121.77	132	128.1	135.1	160	127.4	148.42	160	126.6	161.75	185	125.1	188.4	200	123.6	215.06	220	122	241.71	280	4			



HR系列罗茨真空泵性能表  
HR SERIES VACUUM PUMP PERFORMANCE TABLE

风机型号 Model	口径 Bore mm	转速 Rotary Speed r/min	理论流量 m <sup>3</sup> /min	各排气压力下的进口流量Qs (m <sup>3</sup> /min) Inlet Flow (m <sup>3</sup> /min)									所需轴功率La(kw) Shaft Power La(kw)						所配电机功率Po(kw) Motor Power Po(kw)						电机极数 Motor Pole									
				-9.8kpa			-14.7kpa			-19.6kpa			-24.5kpa			-29.4kpa			-34.3kpa			-39.2kpa				-44.1kpa			-49kpa			-53.9kpa		
				Qs	La	Po	Qs	La	Po	Qs	La	Po	Qs	La	Po	Qs	La	Po	Qs	La	Po	Qs	La	Po		Qs	La	Po	Qs	La	Po	Qs	La	Po
HRE250V	250	970	74.23	66.1	21	30	63.5	27	37	62	33	45	60.5	39	55	59	45	55	56.5	51	75	54.1	57	75	51.1	63	75	48.1	67	90	45.1	73	90	6
		1120	84.84	74.8	23	30	73	30	37	70.4	36	45	69.1	43	55	68.8	49	75	66.7	56	75	65.7	62	75	63.7	69	90	62.7	76	90	60.8	83	110	4
		1280	96.96	87.9	25	30	86.1	33	37	84.6	41	55	82.2	49	55	80	57	75	77.8	65	75	74.8	73	90	71.8	81	90	68.8	90	110	65.9	98	110	4
		1450	109.84	100.8	27	37	99	36	45	97.4	45	55	95.1	54	75	94.8	63	75	93.7	72	90	90.7	81	90	88.7	90	110	86.7	100	110	84.8	109	132	4
		1600	121.2	111.1	30	37	109.3	40	55	108.8	51	75	106.4	61	75	104.2	72	90	102.1	82	110	100	93	110	98	103	132	96.1	113	132	94.2	123	160	4
		1780	134.8	125.8	33	37	123	45	55	121.4	57	75	120.1	69	90	118.8	81	90	116.7	93	110	114.7	105	132	112.7	117	132	110.7	128	160	108.8	140	160	4
HRE290V	300	970	100.96	90.5	22	30	88.44	31	37	86.6	40	55	85	49	75	82.6	58	75	80.3	67	90	78	76	90	76.9	85	110	74.8	93	110	72.7	102	132	6
		1120	115.38	104.9	28	37	102.8	37	45	101	48	55	99.4	57	75	97	68	75	95.7	77	90	93.5	88	110	91.2	97	110	89.2	108	132	87.1	117	132	4
		1280	131.87	120.47	31	45	118.3	42	55	116.5	53	75	114.9	64	75	113.5	75	90	110.21	86	110	107.9	97	110	104.7	108	132	101.7	121	132	98	133	160	4
		1450	149.38	138.9	35	45	136.8	48	55	134	60	75	132.4	73	90	131	85	110	129.7	98	110	127.4	110	132	124.3	123	160	121.2	135	160	118.1	148	185	4
		1600	164.84	154.4	37	55	152.3	51	75	150.5	65	90	148.9	79	90	146.5	93	110	145.1	107	132	142.9	121	160	139.7	135	160	137.6	151	185	134.6	165	185	4
		1780	183.38	172.9	43	55	170.8	59	75	168	75	90	166.4	91	110	164	107	132	162.7	123	160	160.4	139	160	158.3	155	185	155.2	173	200	153.1	189	220	4
HRE300V	300	970	111.69	101.6	25	30	98.3	34.5	45	96.35	44	55	94.63	53.5	75	92.06	63	75	90.63	72.5	90	88.28	82	110	86.02	91.5	110	84.82	101	132				6
		1120	128.96	117.94	30	37	115.6	40.5	55	113.77	51	75	111.09	61.5	75	110.56	72	90	108.15	82.5	110	106.84	93	110	104.6	103.5	132	102.43	114	132				4
		1280	147.38	136.3	33	45	134.1	45.5	55	132.2	58	75	130.51	70.5	90	128.9	83	110	126.58	95.5	110	124.26	108	132	122.98	120.5	132	120.85	133	160				4
		1450	166.96	155.9	37	45	153.6	51	75	151.7	65	75	149	79	90	147.5	93	110	145.1	107	132	143.8	121	132	141.6	135	160	139.4	147	160				4
		1600	184.23	173.2	45	55	170.9	62	75	169	78	90	167.3	95	110	165.8	111	132	163.4	127	160	161.1	144	160	159.8	161	185	157.7	176	200				4
		1780	204.96	193.9	50	75	191.6	68	90	189.7	86	110	187	104	132	184.5	122	160	182.1	140	160	180.8	158	185	178.6	176	200	176.4	192	220				4

HR系列罗茨真空泵性能表  
HR SERIES VACUUM PUMP PERFORMANCE TABLE

风机型号 Model	口径 Bore mm	转速 Rotary Speed r/min	理论流量 m³/min	各排气压力下的进口流量Qs (m³/min) Inlet Flow (m³/min)									所需轴功率La(kw) Shaft Power La(kw)						所配电机功率Po(kw) Motor Power Po(kw)						电机极数 Motor Pole									
				-9.8kpa			-14.7kpa			-19.6kpa			-24.5kpa			-29.4kpa			-34.3kpa			-39.2kpa				-44.1kpa			-49kpa			-53.9kpa		
				Qs	La	Po	Qs	La	Po	Qs	La	Po	Qs	La	Po	Qs	La	Po	Qs	La	Po	Qs	La	Po		Qs	La	Po	Qs	La	Po	Qs	La	Po
HRF245V	250	980	86.2	76.2	19	30	73.5	26	45	72.4	34	45	70.4	42	55	68.5	48	75	66.8	55	75	65.2	64	90	63	72	90	61.9	79	90	60	86	110	6
		1450	127.5	120.3	30	37	118.5	41	55	116.4	52	75	114.5	63	75	112.6	72	90	110.5	83	110	108.6	95	110	107.4	106	132	105.1	117	132	104	128	160	4
HRF250V	250	980	101.2	92.3	22	30	88.9	30	45	86.4	39	55	84	47	75	81.4	56	75	79.2	64	75	78	73	90	76	81	110	72.8	91	110	70	99	132	6
		1450	150	144.1	33	45	141.5	46	55	139.1	59	75	136.5	72	90	134.1	85	110	132.8	98	110	130.4	111	132	128.3	124	160	124.2	137	160	121.3	150	185	4
HRF290V	300	980	106.5	97.3	25	30	93.7	34	45	92.8	43	55	89	52	75	87.5	61	75	85	70	90	83.7	79	90	81.4	88	110	76.2	97	110	74	106	132	6
		1450	157.7	152	36	45	149.3	50	55	147.8	64	75	144.2	78	90	142.7	92	110	140.3	106	132	138.5	120	132	136.7	134	160	131.5	147	160	129.3	161	185	4
HRF300V	300	980	132.4	119.7	30	37	117.5	41	55	114.6	53	75	112.9	64	75	109.4	75	90	107.9	87	110	104.5	98	110	101.7	109	132	97.9	120	132	94.7	131	160	6
		1450	196	189.2	45	55	185	62	75	183.5	78	90	180.2	95	110	177.8	112	132	175.1	129	160	172.7	146	160	170.2	163	185	165.9	180	200	161.9	197	220	4
HRF350V	350	980	158.2	146.85	36	45	144.44	49	55	140.41	62	75	136.62	75	90	131.99	88	110	124.49	101	110	121.09	114	132	117.78	127	160	114.53	142	160	111.34	155	185	6
		1450	234.2	225.31	53	75	220.9	73	90	218.87	93	110	215.08	113	132	211.45	133	160	208.95	153	185	205.55	172	200	201.24	193	220	196.99	212	250	194.8	233	250	4
HRF400V	400	980	193.8	180.02	41	55	177.3	58	75	174.01	75	90	170.99	92	110	167.16	109	132	163.47	126	160	159.89	143	185	155.41	160	185	151.01	180	200				6
		1450	286.7	273.52	60	75	271.81	86	110	268.51	112	132	265.49	138	160	262.66	164	185	259.97	190	220	256.4	216	250	252.9	242	280	249.5	269	315				4
HRG400V	400	730	223	211.6	51	75	206	70	90	204	88	110	201	107	132	197.9	125	160	195.7	144	185	193.6	162	200	190.6	181	200	186.8	199	220	182	218	250	8
		980	300	290.3	64	75	284.5	90	110	282.6	115	132	278.7	140	160	273.6	167	200	270.6	193	220	266.4	219	250	263.8	244	280	257.5	269	315	251.7	295	355	6

HR系列罗茨真空泵性能表  
HR SERIES VACUUM PUMP PERFORMANCE TABLE

风机型号 Model	口径 Bore mm	转速 Rotary Speed r/min	理论流量 m <sup>3</sup> /min	各排气压力下的进口流量Qs (m <sup>3</sup> /min) Inlet Flow (m <sup>3</sup> /min)																								所需轴功率La(kw) Shaft Power La(kw)						所配电机功率Po(kw) Motor Power Po(kw)						电机极数 Motor Pole
				-9.8kpa			-14.7kpa			-19.6kpa			-24.5kpa			-29.4kpa			-34.3kpa			-39.2kpa			-44.1kpa			-49kpa			-53.9kpa									
				Qs	La	Po	Qs	La	Po	Qs	La	Po	Qs	La	Po	Qs	La	Po	Qs	La	Po	Qs	La	Po	Qs	La	Po	Qs	La	Po	Qs	La	Po	Qs	La	Po	P			
HRG445V	450	730	252	236.13	54	75	230.45	76	90	226.18	97	132	223.13	119	160	219.36	141	185	215.69	163	200	210.13	185	220	206.67	207	250	201.28	229	250	197.95	251	280	8						
		980	338	326.16	71	90	322.47	100	132	317.2	130	160	313.2	160	200	309.32	189	220	305.72	219	250	301.16	248	280	296.69	278	315	291.3	308	355	296.98	337	400	6						
HRG450V	450	730	280	261.7	61	75	255.6	84	110	250.8	108	132	247.69	131	160	243.77	155	185	239.01	178	200	234.37	202	220	230.32	225	250	224.36	250	280	219.96	272	315	8						
		980	376	364.5	80	110	358	112	132	355.61	144	185	351.5	176	220	346.58	208	250	342.82	240	280	339.18	272	315	334.63	304	355	328.16	337	400	322.77	368	400	6						
HRG500V	500	730	348	330.3	73	90	324.1	102	132	321.4	132	160	317.03	162	185	314.88	192	220	309.9	222	250	303.05	250	280	296.31	280	315	290.67	310	355	283.1	340	400	8						
		980	467	452.32	97	132	443.13	137	160	440.44	177	200	434.07	217	250	428.92	257	280	423.93	297	355	418.09	337	400	414.35	377	400	405.17	417	450	397.14	457	500	6						
HRG600V	600	730	400	381.25	83	110	374.11	113	132	368.78	148	185	360.96	183	220	354.5	218	250	348.32	253	280	340.35	288	315	332.57	323	355	325.93	354.51	400	318.41	390	450	8						
		980	536	517	103	132	510.86	151	185	503.52	199	250	497.7	247	315	491.25	295	355	484.06	343	400	476.1	391	450	468.31	439	500	460.67	490	560	454.16	538	630	6						
HRZ600V	600	730	459.87	431.24	95	110	424.69	134	160	419.01	173	200	413.89	212	250	408.15	251	280	401.72	290	315	395.51	329	355	388.5	368	400	379.65	407	450	370.94	446	500	8						
		980	617.37	587.73	130	160	580.19	182	200	572.51	234	250	565.38	286	315	559.64	338	400	551.21	390	450	541.01	442	500	530	494	560	519.15	546	630	508.43	598	710	6						
HRZ600TV	600	730	513.98	481.7	108	132	474.8	150	185	468.9	192	220	462.52	234	280	457.55	276	315	449.89	318	355	440.49	360	400	429.29	402	450	418.26	446.54	500	407.38	489	560	8						
		980	690	658.8	147	185	650.9	205	250	643.93	263	315	638.54	321	355	631.57	379	400	622.91	437	500	611.51	495	560	601.31	553	630	590.28	614	710	579.4	672	710	6						
HRZ700V	700	730	572.59	537.09	122	132	529.44	170	200	522.84	218	250	516.9	266	315	510.43	314	355	504.32	362	400	496.49	410	450	489.89	458	500	477.48	510	560	466.23	558	630	8						
		980	768.69	737.18	164	200	728.54	228	250	720.94	292	315	712	356	400	701.53	420	450	690.4	484	500	679.58	548	630	668.98	612	710	658.57	680	710	647.33	744	800	6						
HRZ800V	800	730	653.74	617.5	145	160	610.7	200	220	602.96	255	280	595.89	310	355	586.31	365	400	575.1	420	500	563.17	475	560	551.48	530	630	540.99	585	630	528.42	640	710	8						
		980	877.63	841.5	190	220	832.94	264	315	826.41	338	355	818.53	412	450	810.12	486	560	800.06	560	630	789.27	634	710	778.72	708	800	766.35	782	900	755.31	856	1000	6						
HRZ800TV	800	730	694.32	654.01	148	185	648.19	206	250	641.44	264	315	623.37	322	355	614.78	380	400	604.55	438	500	593.62	496	560	582.92	554	630	570.42	616.33	710	557.92	674	710	8						
		980	932.1	893.8	198	220	885.98	276	315	878.22	354	400	869.15	432	500	859.56	510	560	848.34	588	630	836.4	666	710	823.7	744	800	809.2	825	900	794.71	903	1000	6						
HRZ900V	900	730	766.46	723.07	163	200	716.78	227	250	708.63	291	355	699.21	355	400	689.3	419	450	678.79	483	560	665.58	547	630	651.63	611	710	636.38	676	710	621.6	740	800	8						
		980	1028.95	987.55	223	250	976.26	316	355	965.12	404	450	953.69	492	630	941.79	580	710	930.28	668	800	917.07	756	900	903.12	844	1000	888.86	930	1120	870.08	1022	1120	6						
HRZ900TV	900	730	825	780.4	178	200	771.6	246	280	761.5	314	355	750.8	382	450	738.6	450	500	725.9	518	560	711.4	586	630	696.2	654	710	680.8	722	800	665.3	790	900	8						
		980	1107.6	1062.3	234	250	1053.1	326	400	1040.2	418	450	1026.1	510	630	1011.6	602	710	995.6	694	800	979.5	786	900	962.4	878	1000	943.7	970	1120	923.6	1062	1250	6						
HRZ900LV	900	730	901.7	854.2	188	220	845	264	315	835.6	340	400	824.9	415	450	810.7	491	560	795.8	566	630	778.6	642	710	759.9	717	800	736.2	792	900	713.6	869	1000	8						
		980	1210.5	1160	252	280	1151.6	354	400	1141.5	456	500	1130.6	558	630	1118.9	660	710	1104.5	762	900	1089.6	864	1000	1070.8	966	1120	1050.4	1070	1250	1027.6	1172	1400	6						

MT系列罗茨真空泵性能表  
MT SERIES VACUUM PUMP PERFORMANCE TABLE

风机型号 Model	口径 Bore mm	转速 Rotary Speed r/min	理论流量 m <sup>3</sup> /min	各排气压力下的进口流量Qs (m <sup>3</sup> /min) Inlet Flow (m <sup>3</sup> /min)									所需轴功率La(kw) Shaft Power La(kw)						所配电机功率Po(kw) Motor Power Po(kw)						电机极数 Motor Pole			
				-9.8kpa			-14.7kpa			-19.6kpa			-24.5kpa			-29.4kpa			-34.3kpa			-39.2kpa				-44.1kpa		
				Qs	La	Po	Qs	La	Po	Qs	La	Po	Qs	La	Po	Qs	La	Po	Qs	La	Po	Qs	La	Po		Qs	La	Po
MTRF250V	250	730	97.8	86.2	21	30	84.2	29.5	45	83.1	38	45	81.1	46	55	79.2	54	75	77.5	62	75	75.9	70	90	73.7	82.5	90	8
		980	131.3	120	29	37	118	40	55	116	51	75	114	61.6	75	112	72	90	110	83.5	110	108	95	110	107	106	132	6
MTRF290V	300	730	115.3	105	25	30	101	35	45	99.6	45	55	96.9	54.5	75	94.6	64	75	92.7	73.5	90	90.7	83	110	88.5	93	110	8
		980	154.8	144	33	45	141	46	55	139	59	75	136	72	90	134	85	110	132	97.5	110	130	110	132	128	123	160	6
MTRF295V	300	730	122.3	111.2	26.2	30	108.3	36.4	45	105.7	46.6	55	103.2	56.8	75	100.6	66.9	75	98.1	77.1	90	95.4	87.3	110	92.6	97.5	110	8
		980	164.1	153.1	35.1	45	150.2	48.8	55	147.6	62.5	75	145.1	76.2	90	142.5	89.9	110	140	104.1	132	137.3	117.2	132	134.5	131.1	160	6
MTRF300V	300	730	150.2	137	32	45	133	44.5	55	131	57	75	128	69.5	90	125	82	90	123	94.5	110	120	107	132	118	120	132	8
		980	201.7	192	43	55	185	59.5	75	183	76	90	180	93	110	177	110	132	175	127	160	172	144	160	170	161	185	6
MTRF350V	350	730	178.2	164	38	45	159	52.5	75	157	67	75	154	82	90	150	97	110	147	112	132	144	126	160	141	141	160	8
		980	239.2	225	50	55	220	70	90	218	90	110	215	110	132	211	130	160	208	150	185	205	169	185	201	189	220	6
MTRG350V	350	590	197.3	184	43	75	179	59.5	75	177	76	90	174	92.5	132	171	109	132	168	126	160	166	142	185	163	159	185	10
		730	244.1	231	52	75	226	73	90	224	93	110	221	113	132	218	134	160	215	154	200	213	175	200	209	195	220	8
MTRG400V	400	590	248.1	232	52	75	226	73	90	224	94	110	220	115	132	215	135	160	212	156	185	208	177	200	205	198	220	10
		730	306.9	290	64	75	284	90	110	282	115	132	278	142	160	273	167	185	270	193	220	266	219	250	263	244	280	8
MTRG450V	450	590	310.1	292	64	75	285	90	110	282	116	132	278	142	185	273	168	185	269	194	220	266	220	250	260	246	280	10
		730	383.7	365	78	90	358	110	132	355	143	160	351	175	200	346	207	250	342	239	280	339	271	315	334	303	355	8
MTRG500V	500	590	383.7	361	78	90	352	110	132	349	142	185	343	174	200	337	206	220	332	238	260	327	270	315	323	302	355	10
		730	474.4	452	96	110	443	136	160	440	175	200	434	214	250	428	253	280	423	293	355	418	333	355	414	372	450	8

MT系列罗茨真空泵性能表  
MT SERIES VACUUM PUMP PERFORMANCE TABLE

风机型号 Model	口径 Bore mm	转速 Rotary Speed r/min	理论流量 m <sup>3</sup> /min	各排气压力下的进口流量Qs (m <sup>3</sup> /min) Inlet Flow (m <sup>3</sup> /min)																		所需轴功率La(kw) Shaft Power La(kw)			所配电机功率Po(kw) Motor Power Po(kw)			电机极数 Motor Pole
				-49kpa			-54kpa			-59kpa			-64kpa			-69kpa			-74kpa			-78kpa						
				Qs	La	Po	Qs	La	Po	Qs	La	Po	Qs	La	Po	Qs	La	Po	Qs	La	Po	Qs	La	Po	Qs	La	Po	
MTRF250V	250	730	97.8	70.5	87.5	110	67.7	95.8	110	64.2	104	132	59.8	112	132	54.1	121	132	46.5	129	160	35.5	137	160	8			
		980	131.3	105.0	117	132	102	128	160	98.9	139	160	94.7	150	160	89.2	161	185	81.8	172	185	71.3	183	200	6			
MTRF290V	300	730	115.3	85.3	103	132	86.7	118	132	82.6	129	160	77.4	139	160	70.7	149	160	61.6	159	185				8			
		980	154.8	126.0	136	160	124.5	159	185	123	173	185	118	186	200	111	200	220	102	214	250	88.6	228	250	6			
MTRF295V	300	730	122.3	89.6	108	132																			8			
		980	164.1	131.4	145	160	128.3	160.5	185	125.2	175	200	122.3	191.3	220	119.6	206.4	250	117.1	219	250	114.9	237.5	280	6			
MTRF300V	300	730	150.2	114	132	160	110	145	160	106	157	185	100	170	185	92.3	182	200	82.1	195	220	67.6	207	250	8			
		980	201.7	165	178	200	161	195	220	157	212	250	151	229	250	143	246	280	133	262	315	118	279	315	6			
MTRF350V	350	730	178.2	136	156	185																			8			
		980	239.2	197	209	250																				6		
MTRG350V	350	590	197.3																							10		
		730	244.1	206	216	250	204	237	280	201	255	280	197	276	315	194	297	355	190	313	355	185	335	400	8			
MTRG400V	400	590	248.1	199	218	250	194	239	280	188	260	280	180	280	315	170	301	355	156	322	355	136	343	400	10			
		730	306.9	257	269	315	256	299	315	249	325	355	241	351	400	231	377	400	217	403	450	197	429	450	8			
MTRG450V	450	590	310.1	255	271	315																				10		
		730	383.7	328	335	400																				8		
MTRG500V	500	590	383.7	314	334	355																				10		
		730	474.4	405	412	450																				8		

Our Products



Pressure Rise:9.8—98kPa Air Capacity:0.6—184m3/min

RSR Series



Pressure Rise:9.8—98kPa Air Capacity:71.6—267m3/min

MTRF Series



Pressure Rise:9.8—98kPa Air Capacity:159.3—452.4m3/min

MTRG Series



Pressure Rise:9.8—88.2kPa Air Capacity:480—1057m3/min

MTRZ Series



Pressure Rise:9.8—98kPa Air Capacity:2—94m3/min

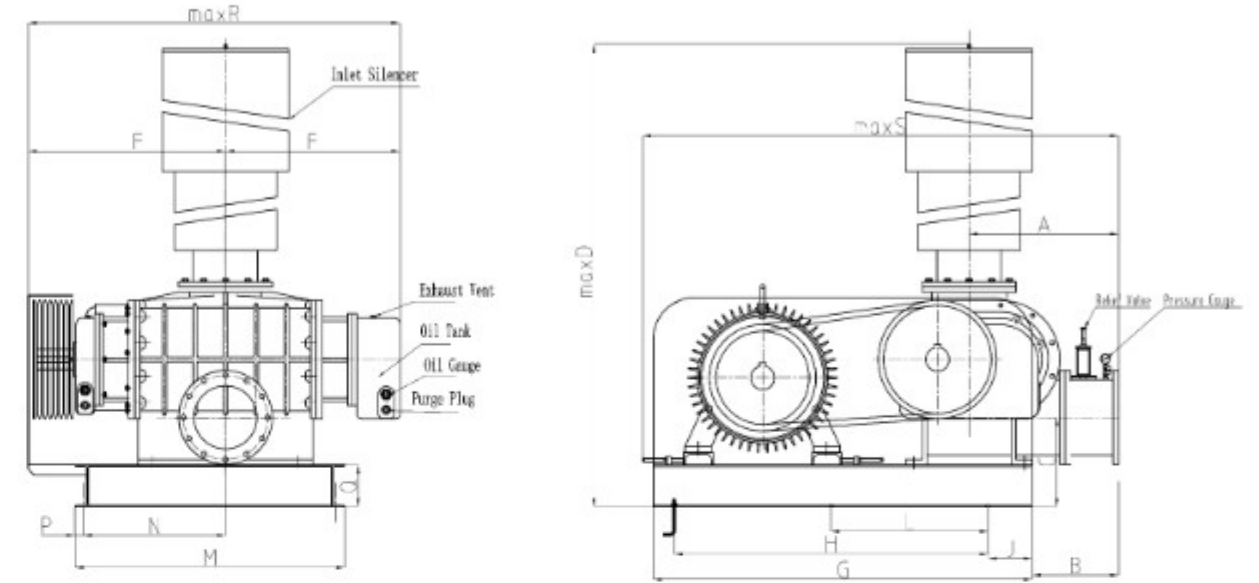
MJSR Series



Pressure Rise:9.8—196kPa Air Capacity:0.61—428m3/min

MTRR Series

RSR Series Belt Drive Drawings

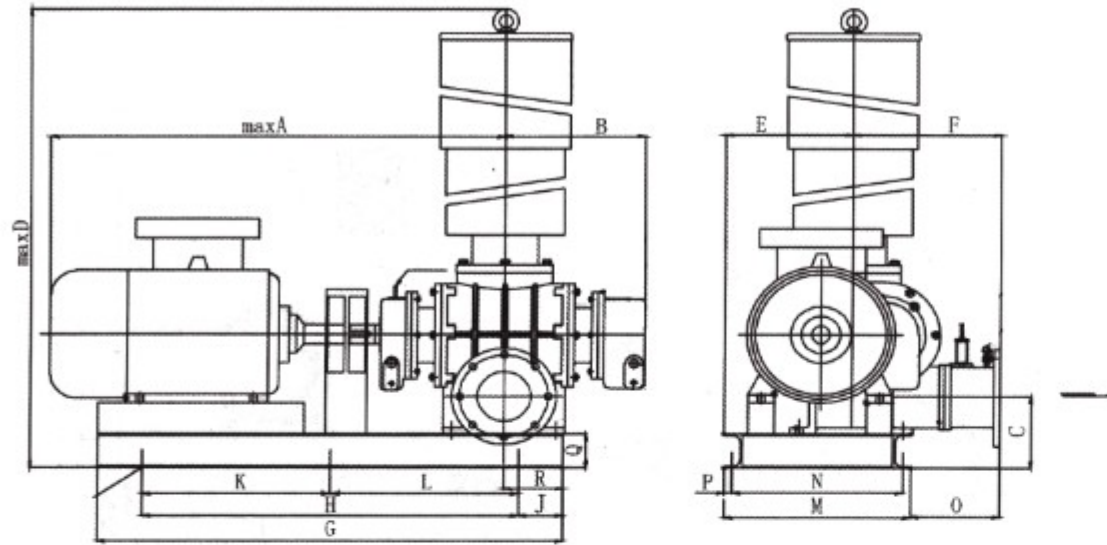


Model	Bore	A	B	C	D	Ed	Es	F	G	H	J
RSR-50	50A	255	165	120	895	225	260	201	560	410	100
RSR-65	65A	255	165	130	950	243	280	221	600	450	100
RSR-80	80A	290	205	150	1250	245	300	240	750	500	100
RSR-100	100A	290	205	160	1320	285	340	280	800	580	100
RSR-125	125A	345	215	185	1450	290	356	290	910	700	110
RSR-150C	150A	360	220	210	1650	369	—	356	1010	700	110
RSR-150A	150A	400	240	210	1730	335	400	300	1050	750	160
RSR-150	150A	400	240	210	1730	390	450	375	1050	750	160
RSR-175A	150A	400	240	210	1730	432	500	418	1050	750	160
RSR-175	150 A	400	250	210	1685	477	—	463	1050	750	160
RSR-200H	200A	500	285	250	2200	485	555	465	1280	1000	180
RSR-200	200A	500	285	250	2200	536	605	515	1330	1000	180
RSR-250D	250A	500	285	360	2240	611	680	590	1500	1000	215
RSR-250	250A	710	370	360	2400	575	640	580	1800	1490	210
RSR-300	300A	710	420	385	2780	655	775	670	1800	1490	210

Mode	Bore	L	M	Nd	Ns	P	Q	n-Φl	R	S	Weight(kg)
RSR-50	50A	—	300	130	166	15	80	4-Φ14	490	730	132
RSR-65	65A	—	340	150	186	15	80	4-Φ14	530	780	173
RSR-80	80A	—	360	150	205	15	80	4-Φ18	690	970	245
RSR-100	100A	—	470	190	245	15	80	4-Φ18	720	1000	334
RSR-125	125A	350	500	180	240	20	100	6-Φ18	790	1230	451
RSR-150C	150A	350	590	250	—	20	100	6-Φ18	850	1300	506
RSR-150A	150A	375	590	195	268	20	100	6-Φ18	1070	1350	805
RSR-150	150A	375	590	250	325	20	100	6-Φ18	1070	1350	777
RSR-175A	150A	375	755	295	368	20	100	6-Φ18	1075	1350	880
RSR-175	150A	375	755	340	—	20	100	6-Φ18	1000	1350	880
RSR-200H	200A	500	755	300	373	25	120	6-Φ20	1290	1765	1324
RSR-200	200A	500	755	355	425	25	120	6-Φ20	1290	1765	1489
RSR-250D	250A	500	950	430	500	30	160	6-Φ22	1295	2010	2152
RSR-250	250A	745	875	385	485	30	160	6-Φ22	1320	2380	2978
RSR-300	300A	745	1080	420	580	30	160	6-Φ22	1550	2960	3310

Note: Ed, Nd for Single Oil Tank, Es, Ns for Double Oil Tank.  
The weights not include the motor.

### RSR Series Coupling Drive Drawings

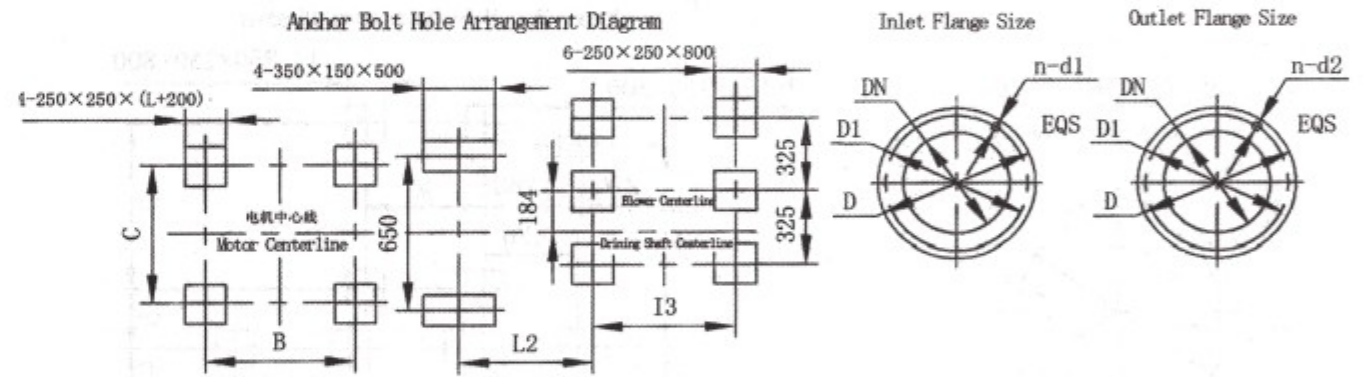
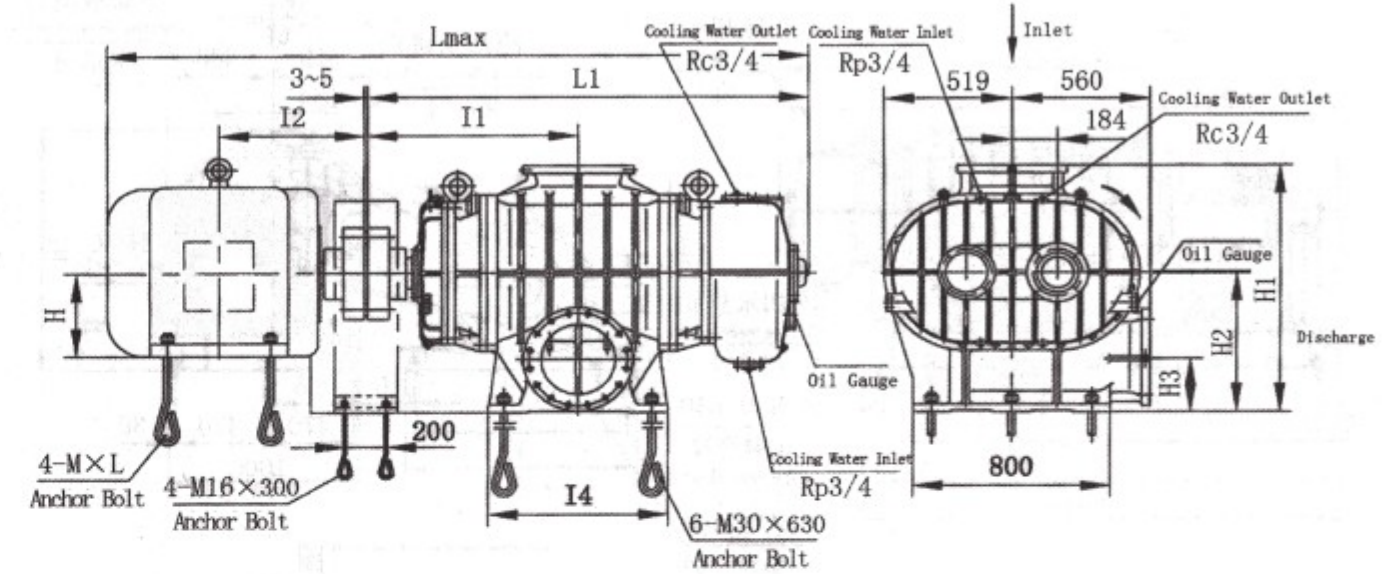


Model	Bore	A	B	C	D	E	F	G	H	J
RSR-50	50A	696	201	125	895	160	255	580	420	80
RSR-65	65A	756	221	135	950	200	255	600	440	80
RSR-80	80A	926	240	150	1250	265	290	820	500	160
RSR-100	100A	996	280	160	1320	295	290	880	630	125
RSR-125	125A	1077	290	185	1450	285	345	1000	710	145
RSR-150C	150A	1250	356	210	1730	350	400	1250	1010	120
RSR-150A	150A	1382	318	210	1730	335	400	1250	1010	120
RSR-150	150A	1439	375	210	1730	335	400	1250	1010	120
RSR-175A	150A	1482	418	210	1730	335	400	1500	1010	200
RSR-175	150A	1595	463	210	1800	410	410	1700	700	150
RSR-200H	200A	1739	463	250	2200	435	500	1700	1400	150
RSR-200	200A	1791	515	250	2200	435	500	1700	1400	150
RSR-250D	250A	1866	590	360	2240	435	500	2000	1800	100
RSR-250	250A	1800	580	360	2400	600	710	1700	1400	150
RSR-300	300A	1900	670	385	2780	650	710	1900	1600	150

Mode	Bore	L	M	Nd	Ns	P	Q	n-d1	R	S	Weight(kg)
RSR-50	50A	—	300	130	168	15	80	4-φ14	490	730	132
RSR-65	65A	—	340	150	188	15	80	4-φ14	530	780	173
RSR-80	80A	—	380	150	205	15	80	4-φ18	690	970	245
RSR-100	100A	—	470	190	245	15	80	4-φ18	720	1000	334
RSR-125	125A	350	500	180	240	20	100	6-φ18	790	1230	451
RSR-150C	150A	350	590	250	—	20	100	6-φ18	850	1300	506
RSR-150A	150A	375	590	195	268	20	100	6-φ18	1070	1350	805
RSR-150	150A	375	590	250	325	20	100	6-φ18	1070	1350	777
RSR-175A	150A	375	755	295	368	20	100	6-φ18	1075	1350	880
RSR-175	150A	375	755	340	—	20	100	6-φ18	1000	1350	880
RSR-200H	200A	500	755	300	373	25	120	6-φ20	1290	1785	1324
RSR-200	200A	500	755	355	425	25	120	6-φ20	1290	1785	1489
RSR-250D	250A	500	950	430	500	30	180	6-φ22	1295	2010	2152
RSR-250	250A	745	875	385	485	30	180	6-φ22	1320	2380	2978
RSR-300	300A	745	1080	420	580	30	180	6-φ22	1550	2980	3310

Note: Ed, Nd for Single Oil Tank, Es, Ns for Double Oil Tank.  
The weights not include the motor.

### MTRF Series Outline Drawings

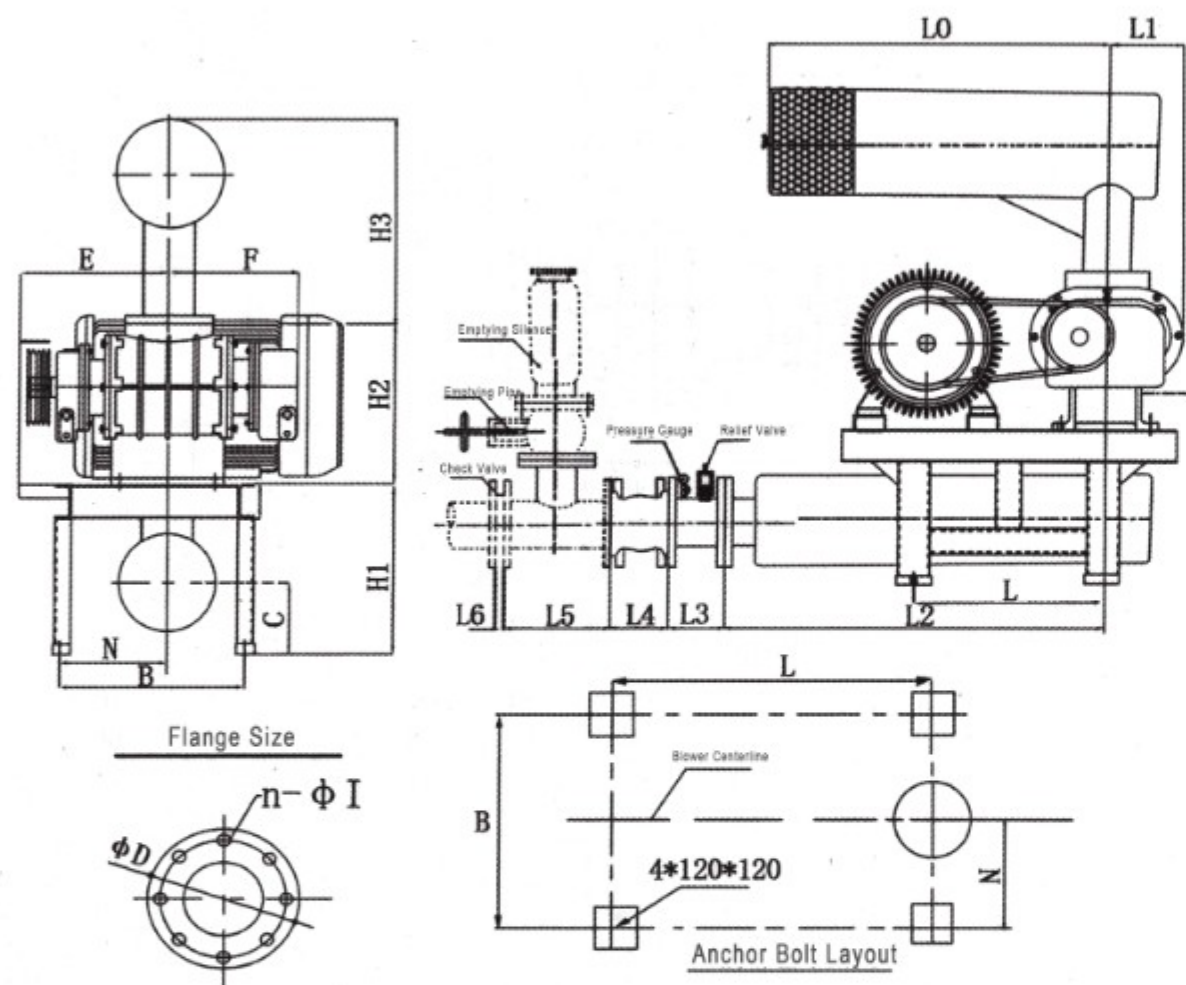


Model	H1	H2	H3	Lmax	L1	L2	I1	I2	I3	I4	DN	D1	D	n-d1	n-d2
MTRF-240	1040	570	210	3120	1540	532	730	400	480	250	350	395	12-φ20		
MTRF-250	1060	600	220	3230	1620	550	785	470	600	300	400	445	12-φ22		
MTRF-290			230	3370	1720	535	835	600	690					12-φ22	
MTRF-300	1090	630	250	4360	1920	550	935	770	900	350	460	505	16-φ22	16-φ22	
MTRF-350	1150	630	250	3695	2080	570	1015	890	1040	400	515	565	16-φ26	16-φ26	
MTRF-395	1180	660	280	3700	2170	570	1060	980	1130	400	515	565	16-φ26	16-φ26	

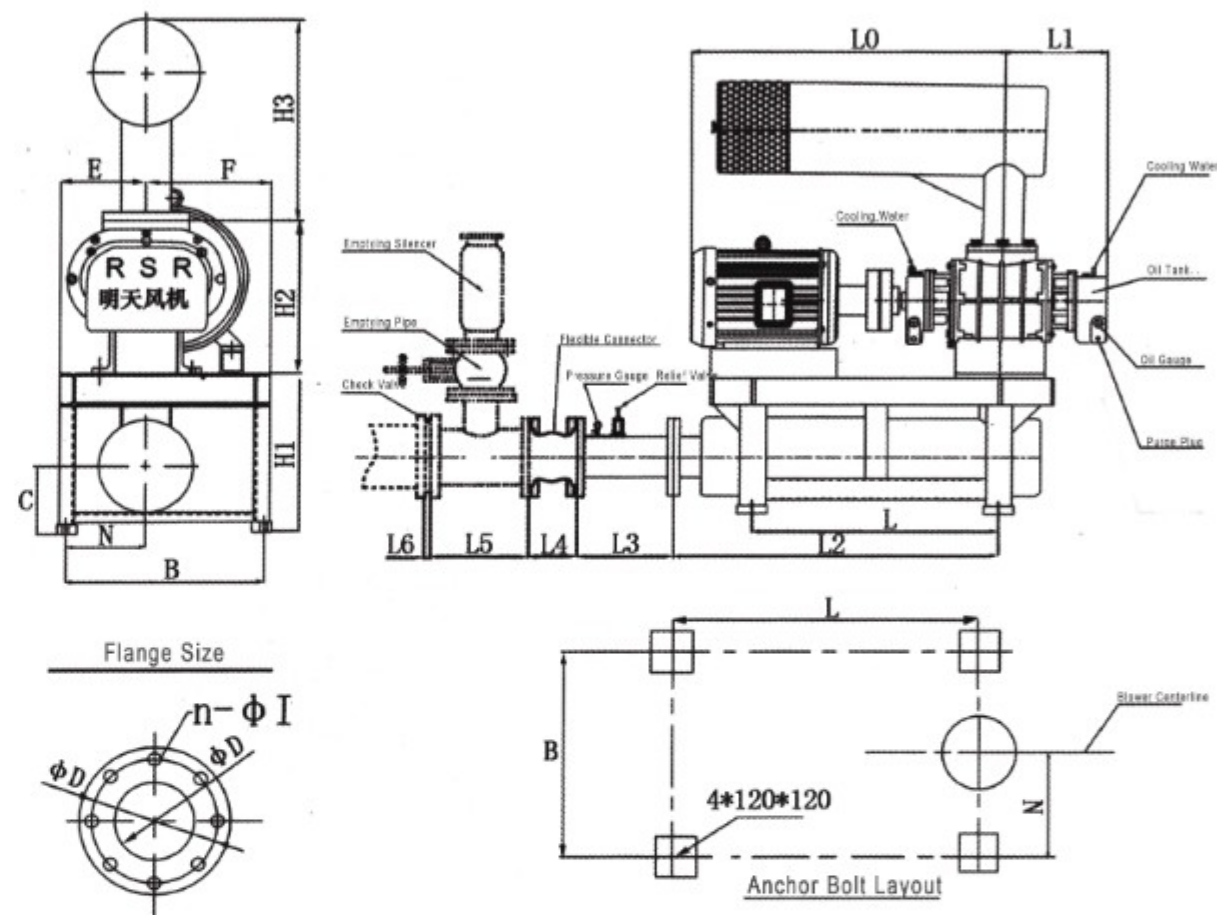
Dimensions of Motor

Motor	Y Series										JS Series						
	Y225	Y250	Y280	Y315		Y355		Y400		Y400	117-6	125-6	127-6.8	136-6.8	137-6	148-6	
	S	M	M	S	M	S	M	L	M	L							
B	288	311	349	368	419	408	457	508	560	630	1000	590	550	650	680	780	870
C	356	406	457			508			610		710	620	710		790		940
H	225	250	280			315			355		400	375	450		500		580
MXL	M16X300		M20X300		M24X300				M30X630		M20X300	M24X400				M36X800	
12	437	450	488	519	545	594	620	645	709	744	1050	780	770	820	840	890	1005

### MJSR Series Belt Drive Drawings



### MJSR Series Coupling Drive Drawings

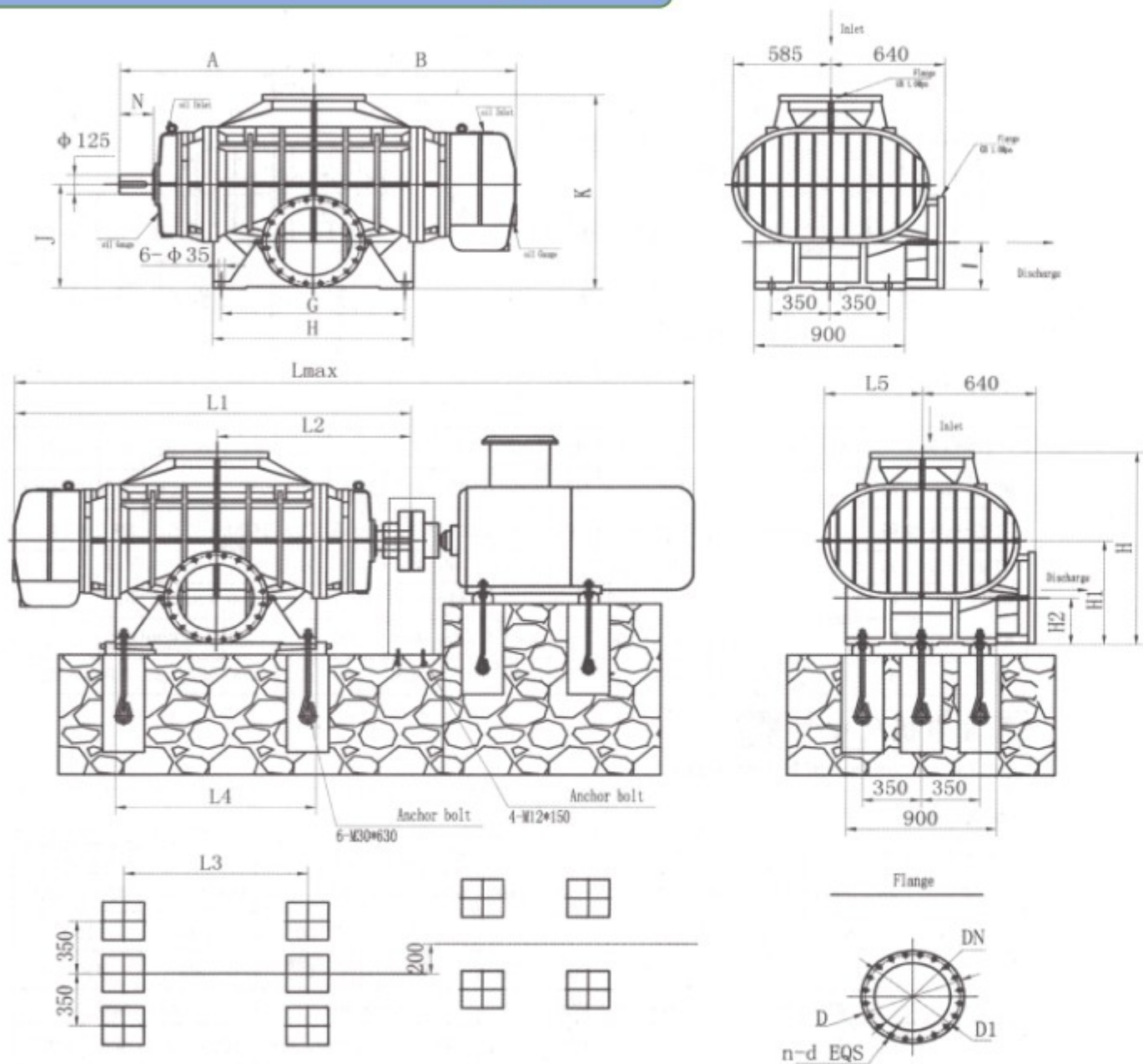


Model	L	B	L0	L1	L2	L3	L4	L5	L6	Nd	Ns	C	Ed	Es	F	H1	H2	H3	D	nΦI
MJSR80	500	360	700	175	800	150	135	320	19	165	220	150	245	300	240	375	305	420	160	8-18
MJSR100	520	470	750	175	1050	150	150	320	19	205	260	160	285	340	280	400	305	450	180	8-18
MJSR125	590	500	775	200	1100	150	165	320	21	200	260	185	290	356	290	450	370	453	210	8-18
MJSR150A	600	590	1050	240	1200	180	180	400	24	215	295	210	335	400	320	500	470	600	240	8-22
MJSR150	600	590	1050	240	1200	180	180	400	24	270	335	210	390	450	375	500	440	600	240	8-22
MJSR200H	760	755	1320	330	1700	225	190	400	29	325	400	250	485	555	465	580	570	730	295	8-22
MJSR200	760	755	1320	330	1700	225	190	400	29	380	460	250	536	605	515	580	570	730	295	8-22

Model	L	B	L0	L1	L2	L3	L4	L5	L6	N	C	E	F	H1	H2	H3	D	nΦI
MJSR80	500	450	780	240	800	150	135	320	19	190	150	190	260	375	305	420	160	8-18
MJSR100	600	450	820	280	1050	150	150	320	19	190	160	190	260	400	305	450	180	8-18
MJSR125	640	540	1000	290	1100	150	165	320	21	220	185	220	320	450	370	453	210	8-18
MJSR150A	860	650	1000	320	1200	180	180	400	24	265	210	265	320	500	470	600	240	8-22
MJSR150	860	650	1200	375	1200	180	180	400	24	265	210	265	385	500	470	600	240	8-22
MJSR200H	1240	755	1560	465	1700	225	190	400	29	320	250	320	530	580	570	730	295	8-22
MJSR200	1240	755	1700	515	1700	225	190	400	29	320	250	320	435	580	570	730	295	8-22



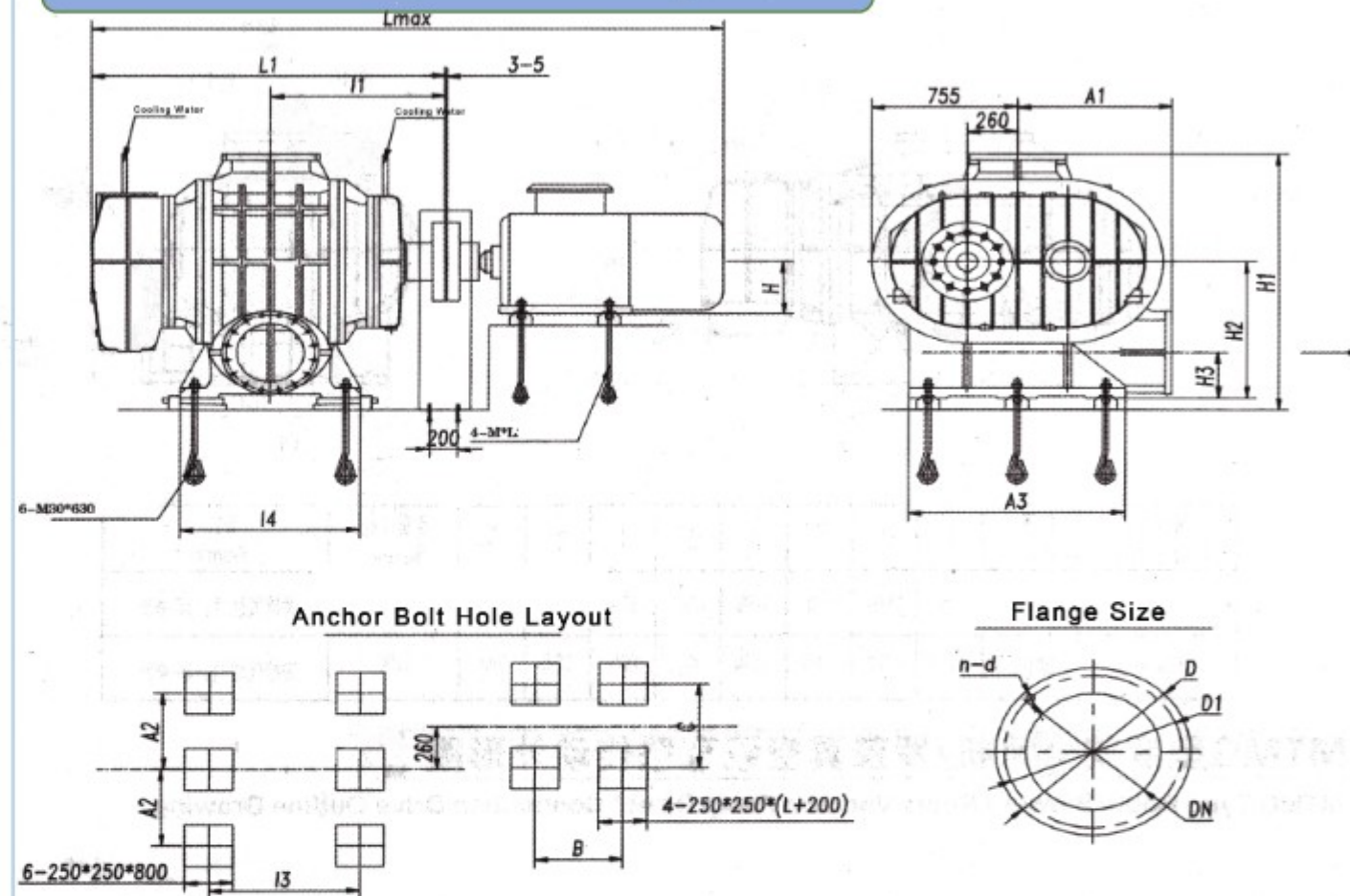
### MTMG Series Outline Drawings



Model	Bore	A	B	G	H	I	J	K	N	Weight(kg)	Remarks
MTMG-395	DN400	1090	1140	950	1000	290	670	1260	200	5200	Flange: 16-026
MTMG-400	DN450	1160	1210	1100	1200	315	695	1295	200	5700	Flange: 20-026

Model	Lmax	L1	L2	L3	L4	L5	H	H1	H2	DN	D1	D	n-d
MTMG-395	5000	2230	1090	950	1000	585	1260	670	290	Φ400	Φ515	Φ565	16-Φ26
MTMG-400	5200	2370	1160	1100	1200	585	1295	695	315	Φ450	Φ565	Φ615	20-Φ26

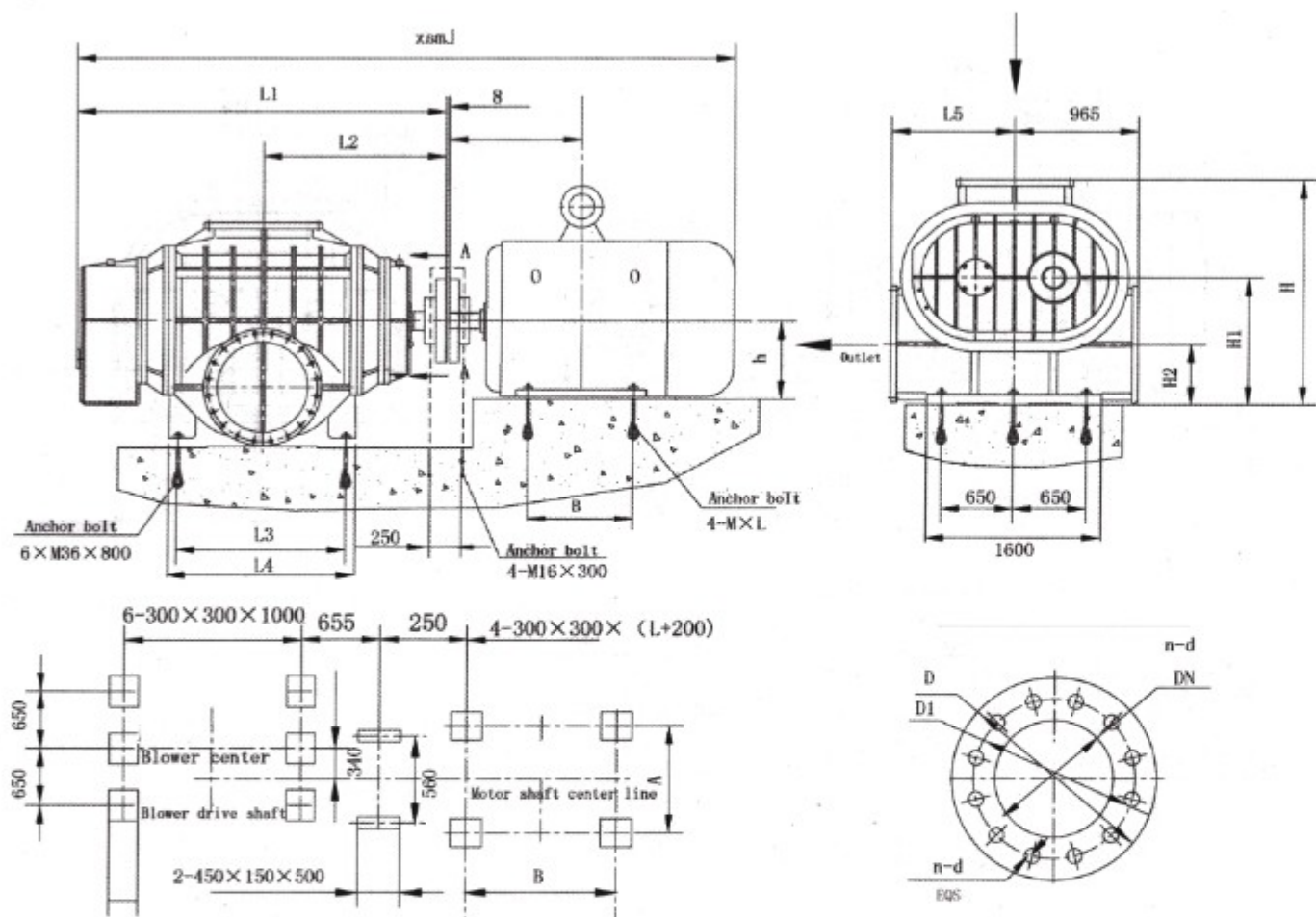
### MTRG Series Outline Drawings



Model	A1	A2	A3	H1	H2	H3	Lmax	L1	L2	L3	L4	DN	D1	D	n-d2	
MTRG-350	775	460	1120	1475	825	275	4955	1945	537	925	780	900	350	460	505	16-Φ22
MTRG-400				1500	850	300	5135	2125	577	1015	720	1000	400	515	565	16-Φ26
MTRG-445	800	480	1160	1400	750	315	5315	2305	627	1105	940	1094	450	565	615	20-Φ26
MTRG-450				1400	750	315	5355	2345	627	1125	940	1150	450	565	615	
MTRG-500				1160	1550	800	350	5965	2655	642	1280	1280	1400	500	620	670
MTRG-600	1120	1650	900	400	5980	2680	490	1325	1350	1400	600	725	780	20-Φ27		

Motor	Y315		Y355		Y450	Y500	Y560	JS							
	M	L	M	L				126-8	127-8.10	137-8.10	138-8.10	1410-8	1410-10	157-8.10	1510-8.10
C	457	508	560	630	1120	1250	1400	550	650	660	760	970	870	820	1020
B	508	610	800	900	1000	710	790	940	1100						
H	315	355	450	500	560	450	500	560	630						
MXL	M24X400		M30X630		M36X800		M24X400				M36X800				
L3	620	645	709	744	1170	1355	1505	770	820	840	890	1055	1005	950	1055
L5	650		750		650				750						

### MTRZ7 Series Outline Drawings

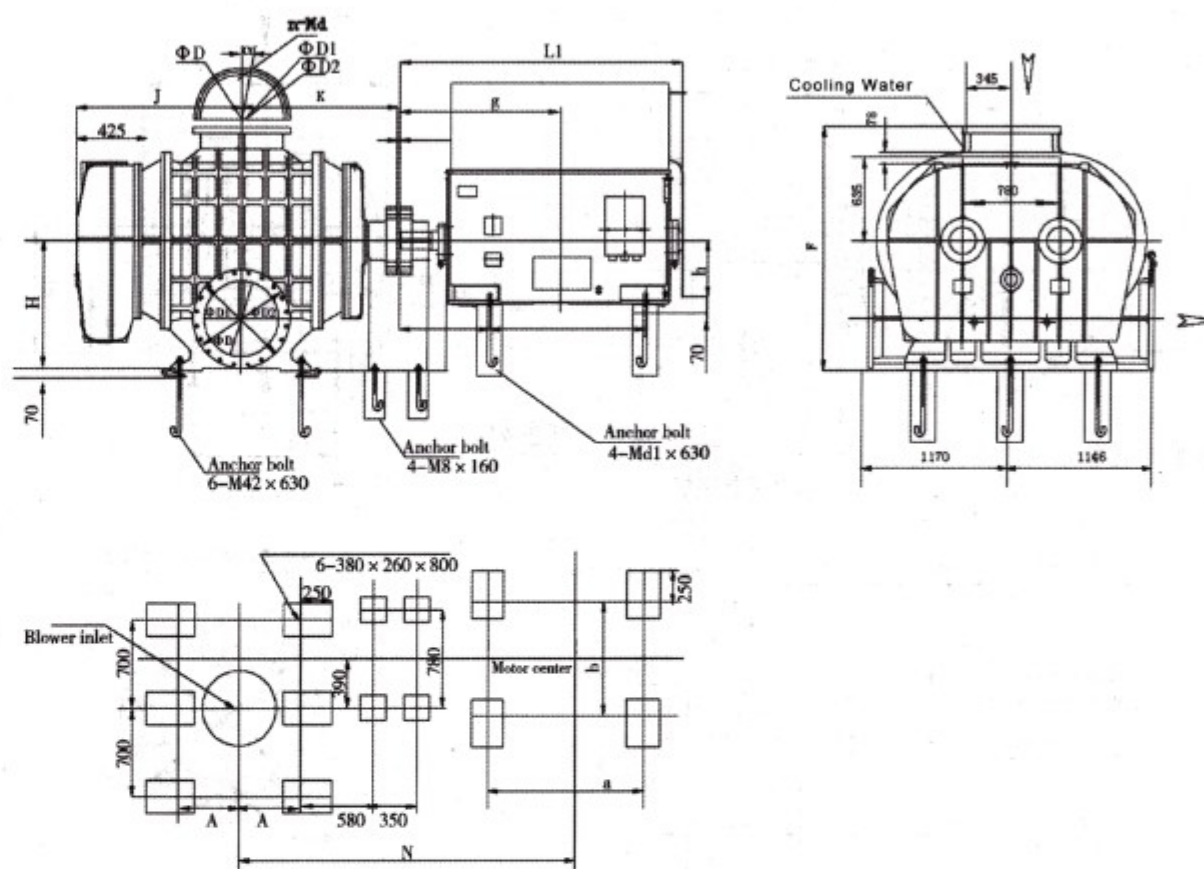


Model	Lmax	L1	L2	L3	L4	L5	H	H1	H2	DN	DI	D	n-d
MTRZ7-600	6023	2915	1330	1110	1240	1000	1850	1000	420	Φ600	Φ725	Φ780	20-Φ29
MTRZ7-700	6185	3085	1415	1280	1410	1000	1920	1060	480	Φ700	Φ840	Φ895	24-Φ29
MTRZ7-750	6343	3235	1490	1440	1560	1060	1920	1060	480	Φ700	Φ840	Φ895	24-Φ29
MTRZ7-800	6563	3455	1600	1600	1780	1060	2015	1120	540	Φ800	Φ950	Φ1015	24-Φ33

Size	Motor Type	Y355*		JS158-10	JS1510-12	Y450-10 12 YKK450-12	Y500-10 12	Y560-10 12	Y630-10 12
		M	L						
A		610		1100	1100	800	900	1000	1120
B		560	630	820	1020	1120	1250	1400	1600
h		355		630	630	450	500	560	630
i		744	779	945	1052	1170	1350	1500	1630
L6		1249		1318	1327	1395	1510	1585	1615
MxL		M24X 400		M36X 800	M30X 800	M30X630		M36 X800	M42X1000

Unit:mm

### MTRH Series Outline Drawings



Model	a	b	h	g	d1	L1	Weight(kg)
Y355L	630	610	355	739	24	1530	1950
*Y450	1120	800	450	1165	30	2075	3890
*Y500	1250	900	500	1350	36	2220	5170
*Y560	1400	1000	560	1500	36	2900	6500
*Y630	1600	1120	630	1638	42	3100	9000

Model	A	D	DI	D2	n-Md	F	I	J	K	N	H	α	Weight (kg)
MTRH600	490	600	725	780	20-M27	1930	410	1333	1245	K+g+20	1025	9°	15500
MTRH700	670	700	840	895	24-M27	1990	465	1518	1438	K+g+20	1075	7.5°	18000
MTRH800	795	800	840	950	24-M30	1990	520	1643	1555	K+g+20	1130	7.5°	19300
MTRH900	920	900	1050	1115	28-M30	2150	580	1870	1705	K+g+20	1240	6.43°	22000

Unit:mm

## Roots Blower Applications

Water Treatment	Incinerators	Cleaning of Pipes	Air Blower
<p>Blowers are used to purify water and stir up sediment at water treatment plants.</p>	<p>Blowers enhance combustion efficiency and promote the removal of exhaust gases.</p>	<p>Blowers can be used to remove dust and iron particles when piping is replaced or periodically checked. They can also be used to supply various kinds of coating material to the interior of pipes.</p>	<p>Here blower is used to blow off drops of water clinging to surfaces of cans, bottles, machine parts, etc. Air blowers can also be used as sources of cooling or drying air.</p>
Plating Bath	Ozonizer	Snow Machine	Fermentation
<p>Plating quality can be enhanced by using a blower to circulate electrolytes in the plating bath to give the plating a more uniform thickness. Here blowers serve as the source of air supply.</p>	<p>This blower is used as the air supply source for a high-concentration ozonizer.</p>	<p>Ski resorts use blowers for pneumatic transport with artificial snow machines.</p>	<p>The stream of air provided by the blower promotes the fermentation of livestock excrement, etc., for efficient composting.</p>
Atomization of Detergent	Paper Feed for Printer	Frozen Food	Aquaculture Oxygen Supply
<p>Blowers conserve energy at car washes by atomizing water and detergent.</p>	<p>Air discharged from blowers facilitates the separation of sheets of paper as well as their distribution in neat piles after printing.</p>	<p>Blowers are useful in the stir-freezing of frozen foods in water.</p>	<p>Aquafarms producing all sorts of fish and shellfish use blowers to oxygenate and circulate the water in tanks. Blowers are also used for aquariums and live fish tanks.</p>
Sand Blasting	Airlift Pump	Press	Medical Treatment Bath
<p>Provides a concentrated blast of air for use in sandblasting.</p>	<p>Bubbles formed by air jet lift water through the pipe by reducing the specific gravity of sewage.</p>	<p>Blower is used for lift when removing molded products from the press.</p>	<p>Blowers supply the air that creates the whirlpool in a Jacuzzi hot tub. Many health centers and other facilities have introduced whirlpool baths for their therapeutic effects.</p>
Back Washing	Drying Line	Particle Transportation	Special Gas
<p>Blowers are used to optimize filter and filter material performance by backwashing.</p>	<p>Our blowers are used to good effect in small scale drying lines.</p>	<p>Blower is used for the pneumatic conveyance of pelletized raw materials such as vinyl chloride and polyethylene. (The vacuum method will work here as well.)</p>	<p>Blowers serve vital functions in the supply of city gas, etc.</p>

## Roots Blower Applications

Food Processing	Vacuum Drying	Vacuum Drying	Leak Testes
<p>Vacuum conditions are useful in the seasoning of foods.</p>	<p>Here, a Roots-type vacuum pump that can collect solvent drainage is ideal (used with drainage pot).</p>	<p>Used to vacuum dry the moisture.</p>	<p>Can be used in tests of airtightness.</p>
Vacuum Packing of Food	Freeze Drying	Sterilization Apparatus	Concentration/Distillation
<p>Vacuum packing keeps foods such as meat and vegetables fresh.</p>	<p>Freshness and quality of vegetables and other foods can also be preserved by freezing the foods in tanks under vacuum conditions.</p>	<p>Our pumps are used as vacuum sources in sterilizers.</p>	<p>In these processes, liquids are made more concentrated by evaporation, or the vapor produced is cooled and returned once again to liquid state.</p>
Adsorption Conveyance	Particle Transport	Soil Remediation	Combustion Gas Recovery
<p>Adsorption conveyance by vacuum pump is well suited to heavy materials such as steel plates and easily breakable materials such as glass. Energy savings are promoted by the elimination of gripping operations.</p>	<p>Used in the conveyance of rice, wheat, soybeans, resin pellets, etc.</p>	<p>Used in the decontamination of soil and groundwater.</p>	<p>Also used in the desulfurization of high-temperature combustion gas and flue gas.</p>
Vacuum Molding	Vacuum Defoaming	Impregnation	
<p>Roots-type vacuum pumps are used as vacuum sources for vacuum molders used with resins, etc. (trap attached).</p>	<p>Product quality is improved for chemicals and pharmaceuticals by using a Roots-type vacuum pump to remove air bubbles by defoaming under vacuum.</p>	<p>In this setup, our pumps first produce a vacuum in the tank and then supply high pressure to facilitate the impregnation of parts with liquids or gases.</p>	
Experiments	VPSA/PSA	Heat Treatment	
<p>Dry vacuum pumps can be used to create a "space environment" on Earth by producing a vacuum state within a space chamber.</p>	<p>This configuration shows a blower used in combination with a vacuum pump.</p>	<p>Reaction furnaces for heat treatment need to be airtight so that no air will become admixed with the reactants. Roots-type vacuum pumps can meet this need.</p>	